

# ABOUT A CHAIR / AAC 17

DESIGN BY HEE WELLING & HAY



With its clean, curved lines and slim, symmetrical legs, About A Chair AAC 17 retains the same minimalistic qualities as the rest of the family. Designed with functionality and versatility in mind, the four legs are positioned under the seat at a rounded angle to frame the upright, organic shell for optimal comfort and stackability. The legs are available in chrome and powder coated finishes, while the shell comes in diverse colour and upholstery options, allowing a multitude of design combinations that make this series so flexible.

## PRODUCT DETAILS

- / Part of a multi-functional family of dining and conference chairs, office chairs, bar stools, lounge chairs, tables, an ottoman and a sofa.
- / Variability of textiles, colours and base finishes.
- / Suitable for a wide variety of private and public environments.
- / Qualified for contract use.
- / Available with plastic shell, with front- and seat upholstery (AAC 16) and full upholstery (AAC 17) in a large selection of fabrics and leathers.
- / Other base options are: Swivel base, wheel base, sled base, solid wood legs and moulded plywood legs.
- / Shell is also available with armrest.
- / Stackable 6 pcs.
- / Stacking possibilities on trolley up to 6 pcs.

# HAY

## MATERIAL

**SHELL** / Injection moulded polypropylene shell without armrest with full upholstery. Shell thickness: 10 mm polypropylene with 10 mm foam.

**BASE** / 4 leg base in 16 mm bent steel tube.

**STACKING PAD** / Polypropylene, charcoal.

## FABRICS & FINISH

Available in a large selection of standard fabrics and leathers.

### STANDARD FABRICS BY KVADRAT

/ Remix	/ Fiord
/ Surface by HAY	/ Hallingdal
/ Steelcut	/ Canvas
/ Steelcut Trio	/ Compound
/ Melange Nap	/ Harald
/ Divina	/ Lila
/ Divina Melange	/ Coda
/ Divina MD	/ Balder

### MAHARAM FABRIC\*

/ Mode

### ROMO FABRICS\*

/ Ruskin	/ Olavi by HAY
/ Roden	/ Linara

### COSY COLLECTION\*

/ Bolgheri	/ DOT 1682
/ Fairway	/ Flamiber

### VELOUR FABRICS\*

/ Lola	/ Ice (UK only)
--------	-----------------

### STANDARD LEATHERS BY CAMO LEATHERS

/ California	/ Silk
/ Sierra	

\*Only available in colours selected by HAY.

## BASE FINISH



CHROMED STEEL

WHITE  
POWDER COATED  
ALUMINIUM

BLACK  
POWDER COATED  
ALUMINIUM

**BASE FINISH** / Available in 3 different base finishes:

/ Chromed steel

/ White powder coated aluminium (RAL 9003)

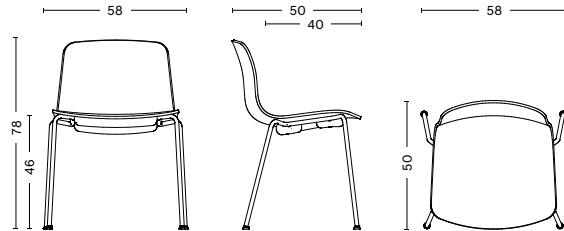
/ Black powder coated aluminium (RAL 9005)

## CONSTRUCTION

**BASE** / 4 leg base with integrated armrests in 16 mm bent steel tube. Including stacking pad in polypropylene prepared for linking device.

## DIMENSIONS

WIDTH / 58 cm / 22.83"  
DEPTH / 50 cm / 19.69"  
HEIGHT / 78 cm / 30.71"  
SEAT HEIGHT / 46 cm / 18.11"  
SEAT DEPTH / 40 cm / 15.75"

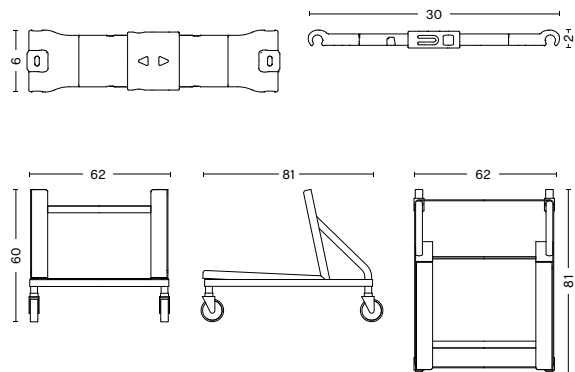


## OPTIONS

CMHR FOAM / Fire retardant foam.

LINKING DEVICE / Black plastic. The chair can be premounted with brackets (black powdercoated steel) and linking device for larger orders. The linking device can only be retrofitted on new AAC frames.

AAC CHAIR TROLLEY / Black powdercoated steel. Rear wheels with brake. Suitable for transportation and storage. Max. 6 stacked upholstered chairs. We recommend using stacking mat for leather upholstery.



## GLIDERS

PLASTIC GLIDER / Standard on all.

FELT TRUMPET GLIDER / For wooden floors.

## TESTS

EN 16139:2013 / Furniture - Strength, durability and safety - Requirements for non-domestic seating.

L2: Extreme use - Loading according to Test severity L2.

## DOWNLOADS

2D files, 3D files and packshots are available in our imagebank at hay.com.

Care- and maintenance instructions and test certificates are available at hay.com.

## NOTE

Stacking mat (PU foam black). The stacking mat is used as a protection foam for the shell during transport and is recommended to use when stacking 2 or more leathers upholstered chairs on top of each other.

# HAY