

PYRAMID BENCH 12

DESIGN BY WIM RIETVELD



Created to be adaptable, light and strong, the Pyramid Benches are the last word in cutout sheet steel construction. Originally created by Wim Rietveld while working at Ahrend in the 1950s, the collection has been relaunched by HAY together with Ahrend. When initially launched in the '50s, it was regarded as a triumph in its innovative use of sheet steel, giving new direction for use in organically shaped products. Today, both as individual pieces and as a collection, it is notable for its sparing use of materials, simplistic construction and for being light enough to move around. These lasting designs manifest functional excellence and aesthetical lightness that have been proved in real environments over several generations. This bench variant features a steel-sheet base with a rectangular oak top, sharing

the same functional and uncluttered expression as the rest of the Pyramid collection. The bench's clean aesthetics and light, hardwearing quality makes it suitable for use in many domestic or corporate contexts. Available in a variety of wood finishes and base colours, it can be used as low side table or as a bench.

PRODUCT DETAILS

- / Multi-functional family of tables and benches in different shapes, sizes, materials and colours.
- / The bench features a solid oak benchtop with steel-sheet legs. Support bar pre-mounted underneath the benchtop.
- / Suitable for a wide variety of private and public environments.
- / Qualified for contract use.
- / The bench is available in 2 variants (Pyramid Bench 11 and 12).
- / The table is available as a rectangular table (Pyramid Table 01 and 02), a round table (Pyramid Café Table 21 and Pyramid Coffee table 51) and a square table (Pyramid Café table 21).

HAY

MATERIAL

BENCHTOP / 21 mm solid oak with straight edge.

BASE / 2 x leg sections in 2 mm bent cutout sheet steel.

1 x support bar (steel tube and 2 mm bent steel) pre-mounted underneath the benchtop.

COLOUR & FINISH

Please note that the colour codes are indicative.

BENCHTOP / Available in 4 different benchtop finishes.

- / Clear lacquered solid oak
- / Matt lacquered solid oak
- / Smoked oiled solid oak
- / Oiled solid oak

BASE FINISH / Available in 2 different base finishes.

- / Black powder coated steel (RAL 9005)
- / Beige powder coated steel (NCS S 3502 - Y)

CONSTRUCTION

Support bar is pre-mounted to the benchtop. Leg sections must be mounted to the support bar with included screws and hex key.

Requires assembly.

Please follow the instruction manual.

BENCHTOP FINISH



CLEAR LACQUERED
SOLID OAK

MATT LACQUERED
SOLID OAK

SMOKED OILED
SOLID OAK

OILED
SOLID OAK

BASE FINISH



BLACK POWDER
COATED STEEL

BEIGE POWDER
COATED STEEL

DIMENSIONS

LENGTH / 190 cm / 74.80"

WIDTH / 40 cm / 15.75"

HEIGHT / 46 cm / 18.11"

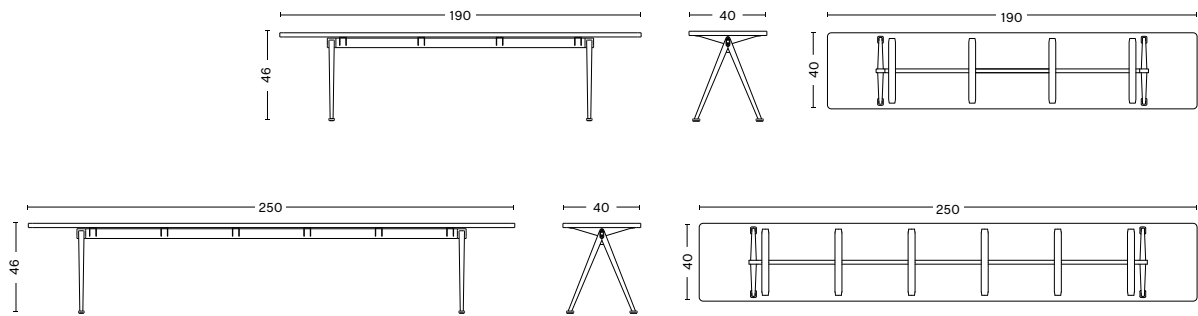
BENCHTOP SIZE / 190 cm x 40 cm / 74.80" x 15.75"

LENGTH / 250 cm / 98.43"

WIDTH / 40 cm / 15.75"

HEIGHT / 46 cm / 18.11"

BENCHTOP SIZE / 250 cm x 40 cm / 98.43" x 15.75"



TESTS

EN 16139:2013 / Furniture - Strength, durability and safety - Requirements for non-domestic seating.

L2: Extreme use - Loading according to Test severity L2.

DOWNLOADS

2D files, 3D files and packshots are available in our imagebank at hay.com.

Care- and maintenance instructions and test certificates are available at hay.com.

HAY