



Wall lamp | Applique

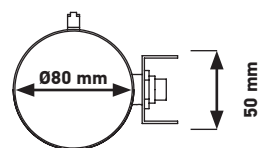
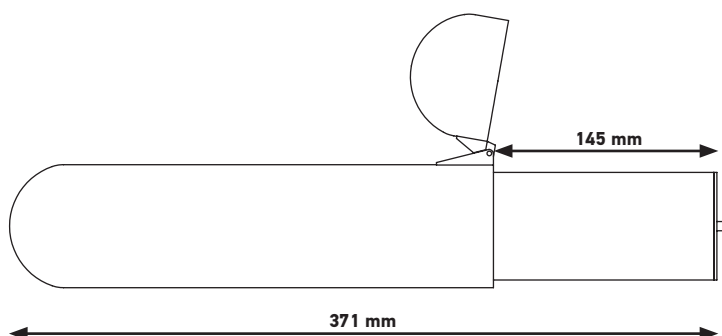
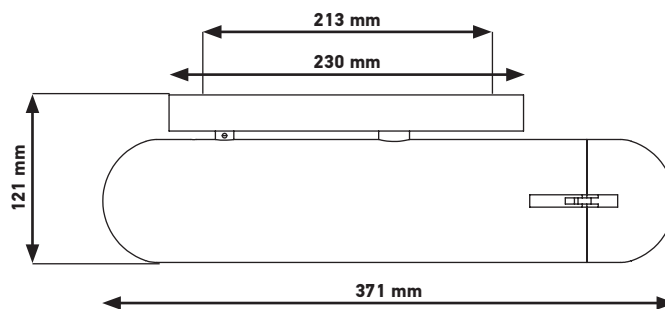
Material: Brass
Matériaux: Laiton

Weight: Net 3 kg | Gross 4 kg
Poids: Net 3 kg | Brut 4 kg

Packaging: 665 × 190 × 220 mm

CL III – LED 8W

IP20  



FINISHES / FINITIONS



ISP WALL BR-L (LEFT)



ISP WALL BR-R (RIGHT)