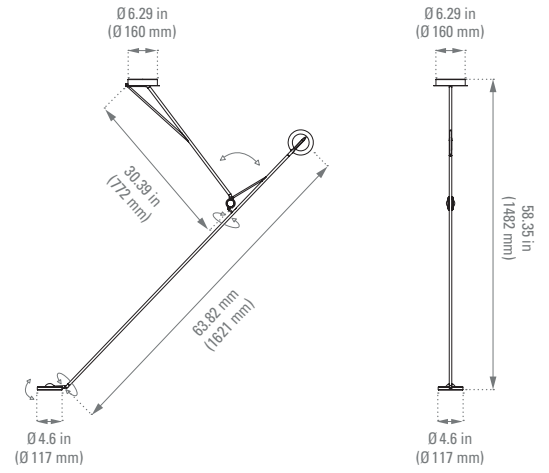


AARO ceiling

by Simon Schmitz



TECHNICAL SHEET

North America standards

FICHE TECHNIQUE

normes Nord Américaines



CEILING LAMP

PLAFONNIER

Materials Matériaux	Steel, aluminium Acier, aluminium
Net weight Poids net	3,1 Kg
Base Embase	Ø 6.29 in Ø 160 mm
Packaging Emballage	71.65 x 11.61 x 8.46 in 1820 x 295 x 215 mm
IP IP	20

Voltage Tension	110/240V
Class Classe	1
Watt Watt	4,5W
Source Source	INTEGRATED LED 2700K
Lumens output Lumens	350 lm (nominal value) 350 lm (valeur nominale)
Driver Driver	Driver supplied (2.02 x 1.26 x 0.67 in) 500 mA / 3-10,5V / 1,5-5,2W Driver fourni (51,5 x 32,8 x 17 mm) 500 mA / 3-10,5V / 1,5-5,2W
Wire Câble	NA
Switch Interrupteur	NA
Plug Fiches	NA

BODY CORPS



Black

BL