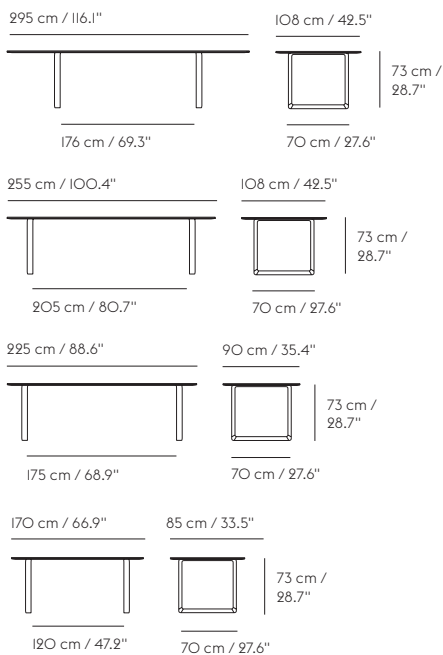


70/70 TABLE



TAF STUDIO ON THE DESIGN "The 70/70 Table is a study in geometric forms, identifying the dimensions that make a balanced design. With its simple and understated expression, the 70/70 Table finds its unique form through careful detailing. Here, the slanted plywood edges of the slender table top and edged triangular shapes of its frame make the 70/70 Table a testament to the ideals of Scandinavian design."



DESIGNED BY / YEAR OF DESIGN

TAF Studio / 2013

ABOUT THE DESIGNER

TAF Studio is a Stockholm-based design and architecture studio making International headlines within product and interior design.

CATEGORY

Multi-functional table

ENVIRONMENT

Indoor

COUNTRY OF PRODUCTION

Tabletop in Denmark / Tableframe in China

PREASSEMBLED

No - mount legs to tabletop.

DESCRIPTION

The 70/70 Table is designed with a simple expression, paired with subtle, understated details that reveal themselves upon closer inspection. Adding character to the design, the details of the 70/70 Table include its triangular base for a modern expression and the slanted edges of the tabletop, unveiling a wooden veneer for a warm touch. Both the Visu Hanger and the Cable Management Solution can be installed to the 70/70 Table for efficient office and work environments.

MATERIAL

Black & Grey: Cast aluminum frame. Plywood tabletop with linoleum surface and lacquered oak veneer. White version: Cast aluminum frame. Plywood tabletop with laminate surface and lacquered oak veneer. Solid Oak version: Cast aluminum frame. Tabletop in solid oiled oak.

CLEANING AND CARE

Black, Grey & White versions: Clean the table with a damp cloth. If necessary, only use a mild detergent or washing up liquid and not concentrated. Always wipe with a dry cloth afterwards. To minimize the risk of stains and marks, liquid, grease etc. should be removed straight away. For linoleum versions, linoleum care is recommended for optimum saturation of the natural material 2-3 times a year. It is recommended to clean linoleum versions with a damp cloth and a pH neutral cleaner and wipe dry to remove any residues.

Solid oak version: Clean often and carefully with a soft and dry cloth following the grain pattern. Periodically, clean with moist cloth. For long term care, it is recommended that the tabletop is treated 2-3 times a year with special oak wood oil on both top and bottom of tabletop that assists with making the wood resistant to stains and fluids. The wood should not be exposed to excessive humidity, heat or direct sun light.

MADE-TO-ORDER

Tabletop finish in nanolaminate available as made-to-order in the colors Black, White and Grey. Non-standard size tables are made to order with max. width of 110 cm / 43.3", min. width of 80 cm / 31.5", max. length of 295 cm / 116.1" and min. length of 140 cm / 55.1".

TESTS & CERTIFICATIONS

EN 15372:2016 - L3: Extreme use Furniture - Strength, durability and safety - Requirements for non-domestic tables.

ANSI/BIFMA X5.5-2014 American National Standard For Office Furnishings - Desk products.

READY-TO-SHIP OPTIONS

TABLETOP



FRAME

