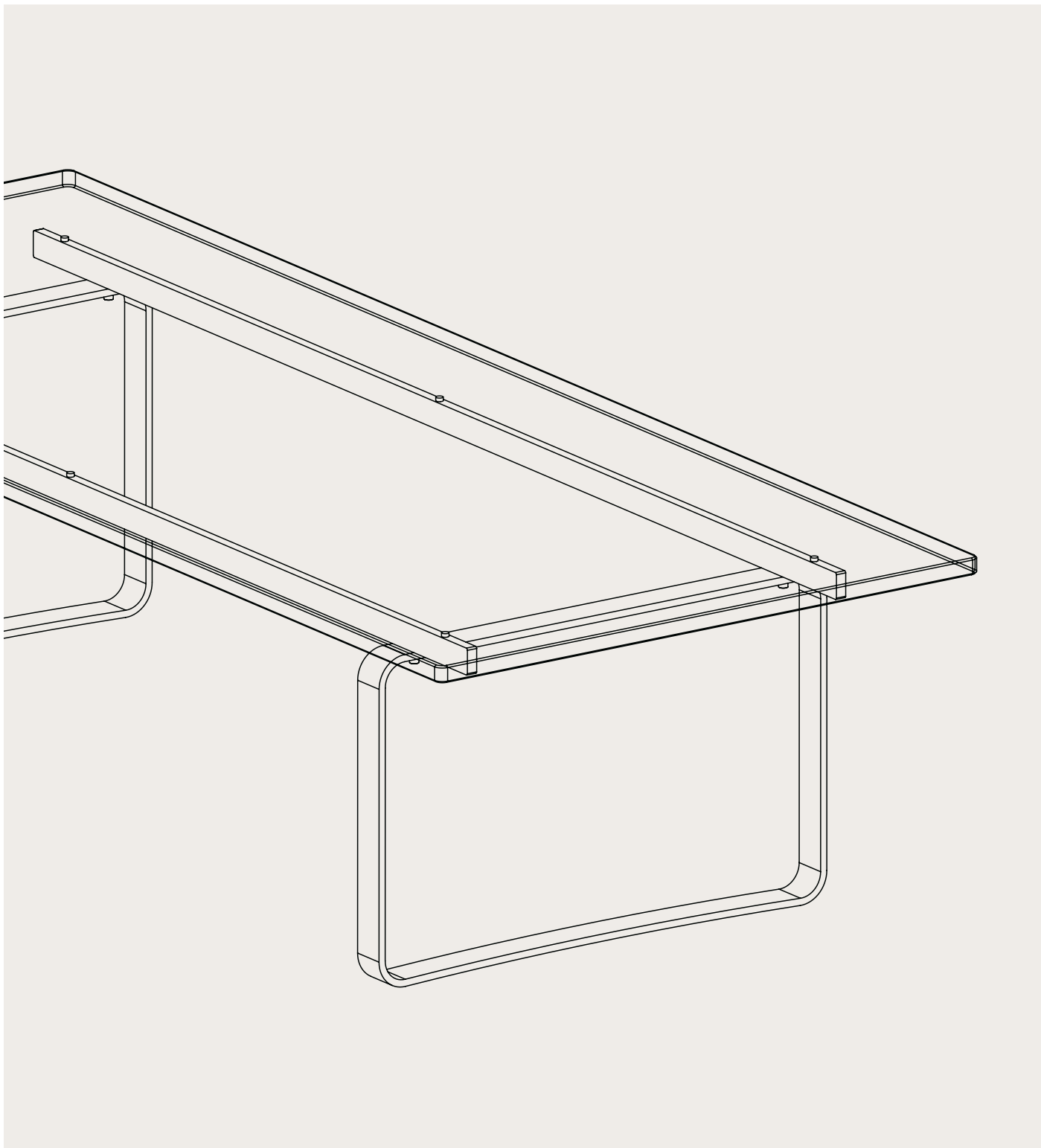
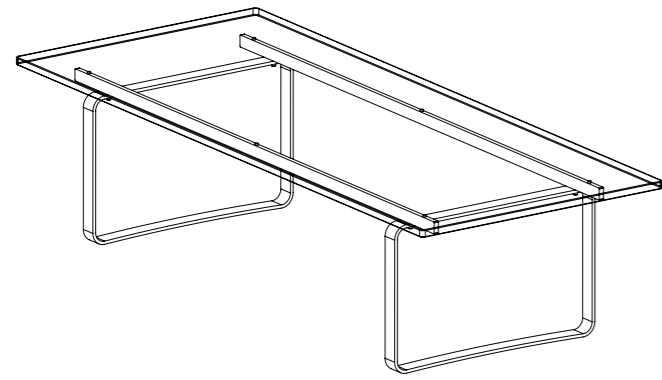


HANS J. WEGNER  
**CH106/CH108**  
ASSEMBLING INSTRUCTIONS



CARL HANSEN & SØN  
PASSIONATE CRAFTSMANSHIP

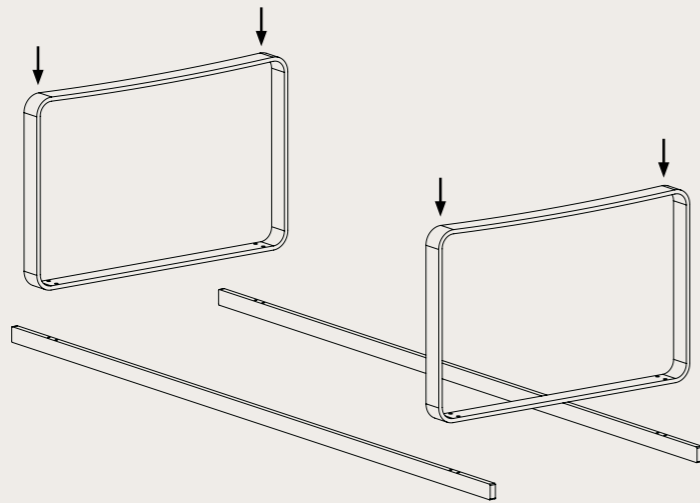


HANS J. WEGNER  
CH106/CH108

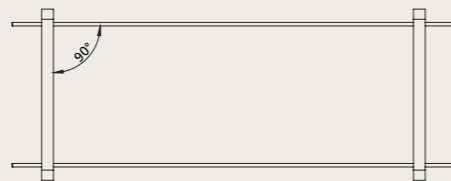
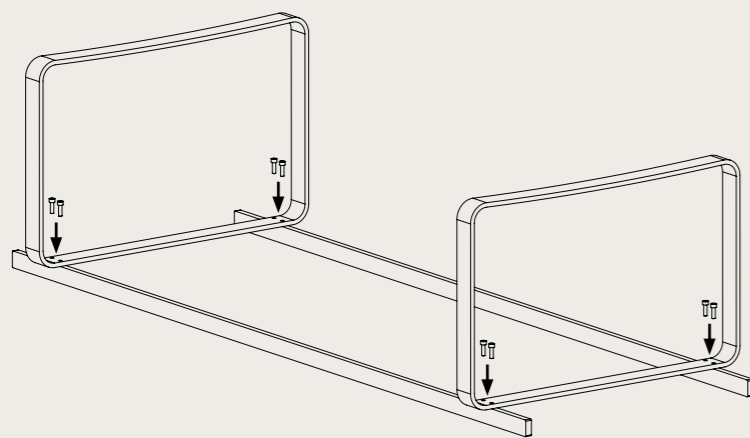
8x 6x



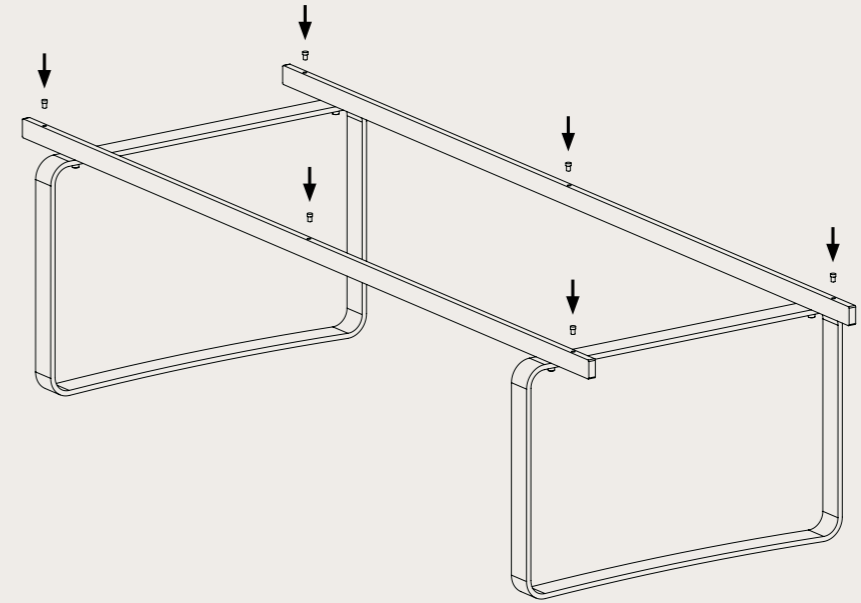
1.



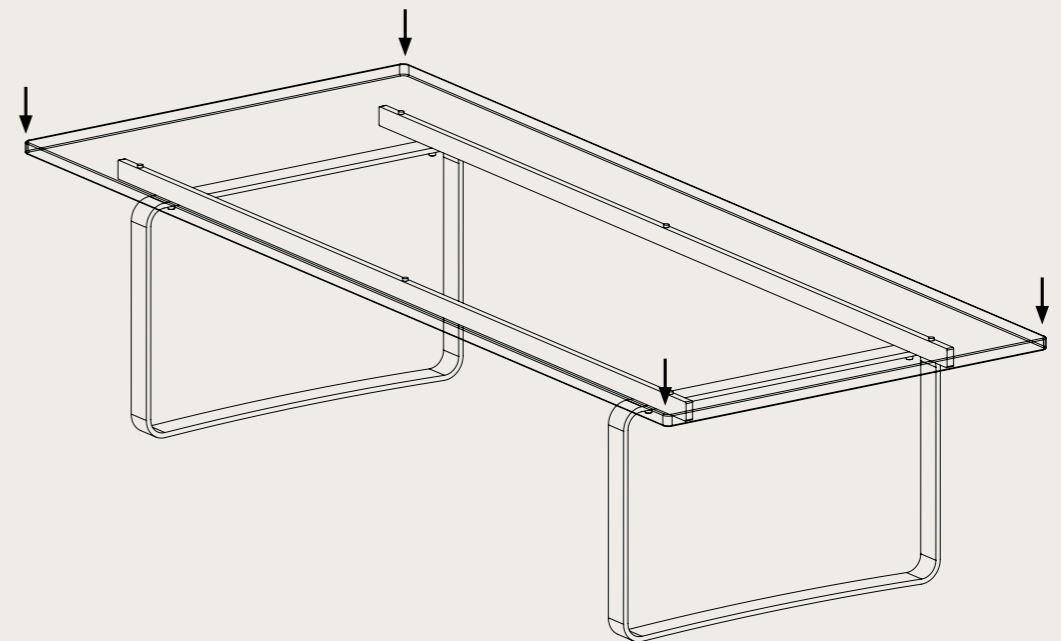
2.



3.



4.





CARL HANSEN & SØN  
PASSIONATE CRAFTSMANSHIP