



PRODUCT SHEET

Harbour Column Counter/Bar Table, Star Base
by Norm Architects

Harbour Column Counter/Bar Table, Star Base

BY NORM ARCHITECTS

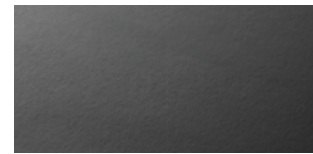
Star-shaped, black powder coated aluminium and steel base in two heights with round or rectangular tabletop in kunis breccia, estremoza marble, black painted oak or linoleum.

PRODUCT OPTIONS

TABLETOP



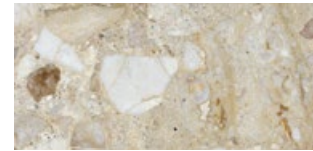
BLACK PAINTED OAK



CHARCOAL LINOLEUM



ESTREMOZ MARBLE



KUNIS BRECCIA STONE

BASE



BLACK POWDER COATED ALUMINIUM & STEEL



Harbour Column Bar Table, Black Steel / Charcoal Linoleum, by Norm Architects
Harbour Bar Chair, Black Steel / Hallingdal 65 0270, by Norm Architects

Harbour Column Counter/Bar Table, Star Base

BY NORM ARCHITECTS

TECHNICAL SPECIFICATIONS

PRODUCT TYPE

Counter and bar table

ENVIRONMENT

Indoor

DIMENSIONS

Counter

H: 93 cm / 36,6"
Ø: 60 cm / 23,6"

H: 93 cm / 36,6"
Ø: 80 cm / 31,5"

H: 93 cm / 36,6"
W: 70 cm / 27,6"
D: 60 cm / 23,6"

Bar

H: 103 cm / 40,6"
Ø: 60 cm / 23,6"

H: 103 cm / 40,6"
Ø: 80 cm / 31,5"

H: 103 cm / 40,6"
W: 70 cm / 27,6"
D: 60 cm / 23,6"

PRODUCTION PROCESS

Star base is made of die casted aluminium and column is made of extruded aluminium. The top plate for mounting the tabletop to the base, is made from flame cut steel. The tabletops are CNC milled. The tabletop in kunis breccia and estremoza marble is treated with a sealer.

COLOUR

Base
Black (RAL 9005)

Tabletop
Black (RAL 9005)
Charcoal (RAL 7012)
Off white (Estremoza marble)
Sand (Kunis breccia)

GLOSS
Gloss 10,20

MATERIALS

Base
Cast, extruded aluminium, steel

Tabletop
Kunis breccia stone, estremoza marble, MDF and forbo linoleum or MDF and painted oak veneer.

WEIGHT

Star Base
3,5 kg / 7,7 lb

Column Counter
2,5 kg / 5,5 lb

Column Bar
2,8 kg / 6,2 lb

Topplate
6,4 kg / 14,1 lb

Tabletop oak or linoleum
Ø60: 8 kg / 17,6 lb
Ø80: 9 kg / 19,8 lb
70x60: 8,5 kg / 18,7 lb

Tabletop marble or stone
Ø60: 28 kg / 61,7 lb
Ø80: 52,8 kg / 116,4 lb
70x60: 36 kg / 79,4 lb

TEST
N / A

CERTIFICATIONS
TSCA title VI compliant

PACKAGING TYPE

Brown box

PACKAGING MEASUREMENTS (H x W x D)

Star Base
22 cm x 51 cm x 51 cm / 8,7 " x 20,1" x 20,1"

Column Counter (H x Ø)
75 cm x 7 cm / 29,5" x 2,8"

Column Bar (H x Ø)
105 cm x 7 cm / 21,7" x 2,8"

Topplate
6 cm x 48 cm x 48 cm / 2,4" x 18,9" x 18,9"

Tabletop oak or linoleum Ø60
6 cm x 65 cm x 65 cm / 2,4" x 25,6" x 25,6"

Tabletop oak or linoleum Ø80
6 cm x 85 cm x 85 cm / 2,4" x 33,5" x 33,5"

Tabletop oak or linoleum 70x60
6 cm x 75 cm x 65 cm / 2,4" x 29,5" x 25,6"

Tabletop marble or stone Ø60
70 cm x 70 cm x 10 cm / 27,6" x 27,6" x 4"

Tabletop marble or stone Ø80
90 cm x 90 cm x 10 cm / 35,4" x 35,4" x 4"

Tabletop marble or stone 70x60
80 cm x 70 cm x 10 cm / 31,5" x 27,6" x 4"

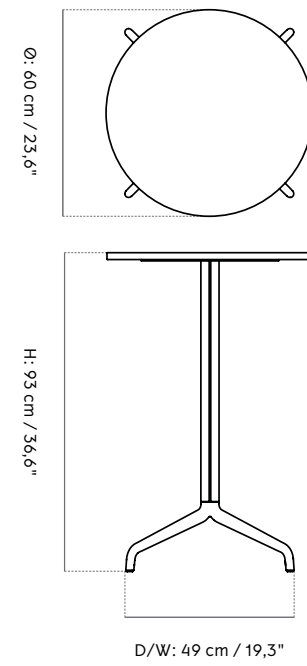
MATERIALS & MAINTENANCE
Please visit [menuspace.com](https://www.menuspace.com) for materials and care and maintenance instructions.

Harbour Column Counter Table, Star Base

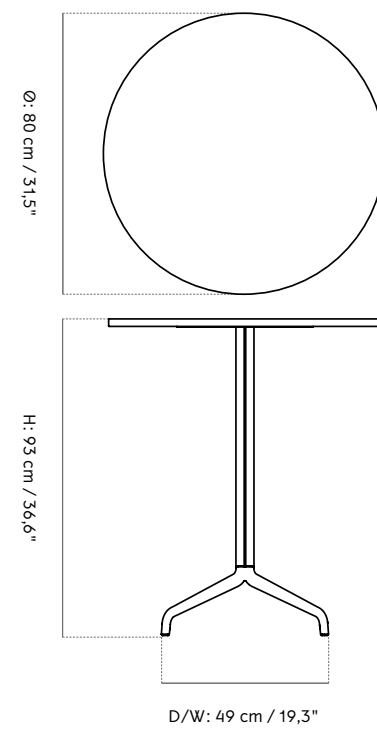
BY NORM ARCHITECTS

TECHNICAL DRAWING

COUNTER TABLE Ø60



COUNTER Ø80

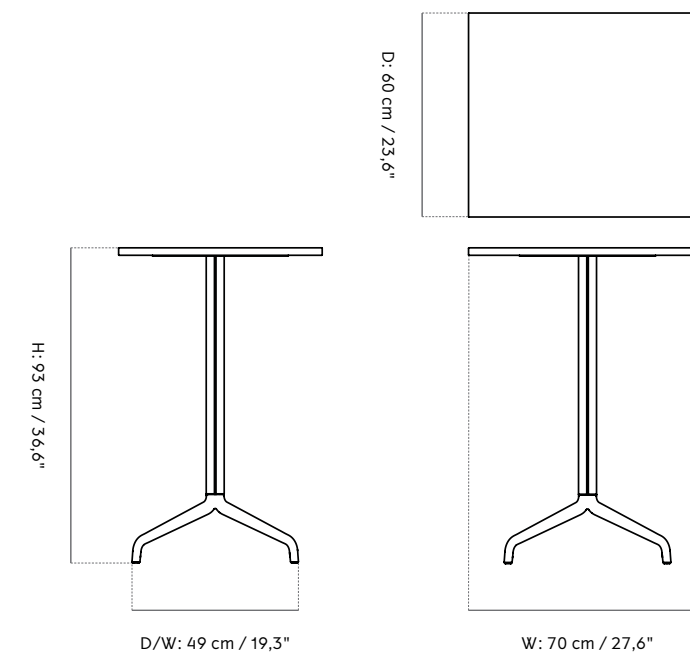


Harbour Column Counter Table, Star Base

BY NORM ARCHITECTS

TECHNICAL DRAWING

COUNTER 70X60

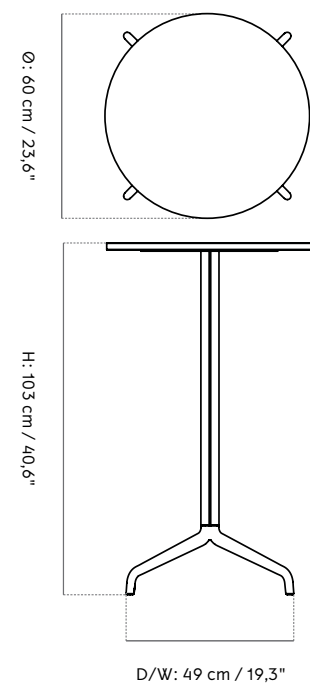


Harbour Column Bar Table, Star Base

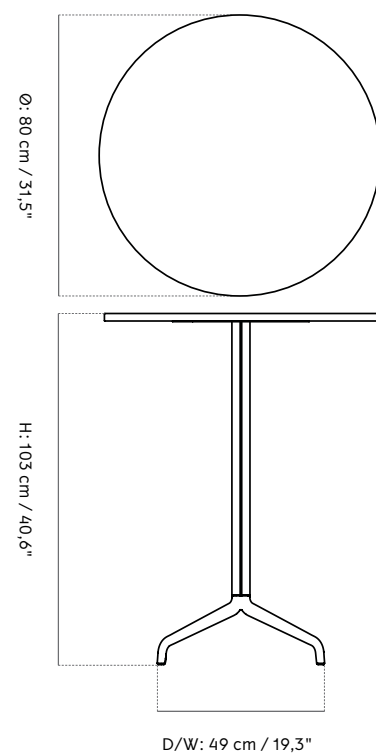
BY NORM ARCHITECTS

TECHNICAL DRAWING

BAR TABLE Ø60



BAR Ø80



Harbour Column Bar Table, Star Base

BY NORM ARCHITECTS

TECHNICAL DRAWING

BAR 70X60

