

Ville AV25-AV28

Anderssen & Voll

2024



Ville ^{AV25}

Anderssen & Voll

2024



D: 150cm / 59in, W: 90cm / 35in

Product description:
Outdoor dining table

Environment
Outdoor

Material
Teak wood and powder coated steel. This product has not been treated with any biocides.

Production process
The metal is cut, shaped, welded then powder coated. The teak wood is milled into shape then sanded and left untreated but smooth.

Finishes
Warm black, Bronze green

Gliders
Plastic gliders

Dimensions
H: 73cm / 29in, W: 150cm / 59in, D: 90cm / 35in

Packaging dimensions
H: 16cm / 6in, W: 168.5cm / 66in,
D: 100cm / 39in

Colli quantity
1 pc

Weight
32 kg / incl. packaging: 42 kg

Country of origin
PRC

Certifications

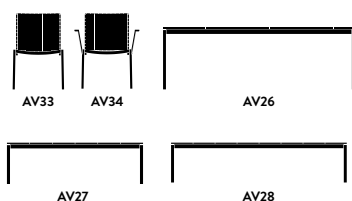


Strength, durability and safety testing
EN 15372 Level 2 (Tables)
EN 581 Outdoor Furniture

Cleaning instructions
Please download our Material Care & Cleaning instructions through www.andtradition.com

→ **Stock items**
Teak & Warm black
Teak & Bronze green

Related Products:



→ Teak & Warm black



→ Teak & Bronze green

&Tradition®

Ville ^{AV26}

Anderssen & Voll

2024



H: 73cm / 29in

D: 220cm / 86in, W: 90cm / 35in

Product description:

Outdoor dining table

Environment

Outdoor

Material

Teak wood and powder coated steel. This product has not been treated with any biocides.

Production process

The metal is cut, shaped, welded then powder coated. The teak wood is milled into shape then sanded and left untreated but smooth.

Finishes

Warm black

Bronze green

Gliders

Plastic gliders

Dimensions

H: 73cm / 29in, W: 220cm / 86in, D: 90cm / 35in

Packaging dimensions

H: 16cm / 6in, W: 238.5cm / 94in,

D: 100cm / 39in

Colli quantity

1 pc

Weight

44 kg / incl. packaging: 57 kg

Country of origin

PRC

Certifications



Strength, durability and safety testing

EN 15372 Level 2 (Tables)

EN 581 Outdoor Furniture

Cleaning instructions

Please download our Material Care & Cleaning instructions through www.andtradition.com

→ Stock items

Teak & Warm black

Teak & Bronze green

Related Products:



AV25

AV33

AV34



AV27

AV28



→ Teak & Warm black



→ Teak & Bronze green

&Tradition®

Ville ^{AV27}

Anderssen & Voll

2024



D: 110cm / 43in, W: 40cm / 16in

H: 46cm / 18in

Product description:

Outdoor bench

Environment

Outdoor

Material

Teak wood and powder coated steel. This product has not been treated with any biocides.

Production process

The metal is cut, shaped, welded then powder coated. The teak wood is milled into shape then sanded and left untreated but smooth.

Finishes

Warm black

Bronze green

Gliders

Plastic gliders

Dimensions

H: 46cm / 18in, W: 110cm / 43in, D: 40cm / 16in

Packaging dimensions

H: 16cm / 6in, W: 128.5cm / 51in,

D: 50cm / 20in

Colli quantity

1 pc

Weight

12 kg / incl. packaging: 18 kg

Country of origin

PRC

Certifications



Strength, durability and safety testing

EN 16139 Level 2 (Seating)

EN 581 Outdoor Furniture

Cleaning instructions

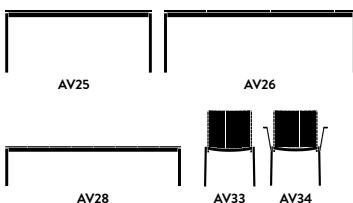
Please download our Material Care & Cleaning instructions through www.andtradition.com

→ Stock items

Teak & Warm black

Teak & Bronze green

Related Products:



→ Teak & Warm black



→ Teak & Bronze green

&Tradition®

Ville ^{AV28}

Anderssen & Voll

2024



D: 179cm / 71in, W: 40cm / 16in

H: 46cm / 18in

Product description

Outdoor bench

Environment

Outdoor

Material

Teak wood and powder coated steel. This product has not been treated with any biocides.

Production process

The metal is cut, shaped, welded then powder coated. The teak wood is milled into shape then sanded and left untreated but smooth.

Finishes

Warm black

Bronze green

Gliders

Plastic gliders

Dimensions

H: 46cm / 18in, W: 179cm / 71in, D: 40cm / 16in

Packaging dimensions

H: 16cm / 6in, W: 198.5cm / 78in,

D: 50cm / 20in

Colli quantity

1 pc

Weight

17 kg / incl. packaging: 26 kg

Country of origin

PRC

Certifications



Strength, durability and safety testing

EN 16139 Level 2 (Seating)

EN 581 Outdoor Furniture

Cleaning instructions

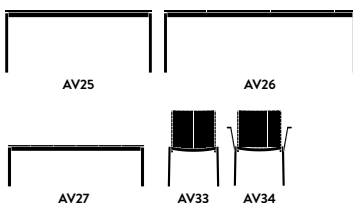
Please download our Material Care & Cleaning instructions through www.andtradition.com

→ Stock items

Teak & Warm black

Teak & Bronze green

Related Products:



→ Teak & Warm black



→ Teak & Bronze green

&Tradition®

Ville Seat Pad AV27 & AV28

Anderssen & Voll 2024



W: 40cm / 15.7in
D: 110cm / 43.3in



W: 40cm / 15.7in
D: 180cm / 70.8in

Product category

Seat pad

Environment

Outdoor

Material

Water repellent & stain proof canvas made from 50% recycled acrylic, 47% acrylic, 3% polyester.

Production process

Fast drying foam and wadding is cut and put in to a cover.

Colour

Heritage Papyrus

Dimensions

AV27: W: 40cm / 16in, L: 110cm / 43in
AV28: W: 40cm / 16in, L: 180cm / 71in

Packaging dimensions

AV27: H: 28cm / 11in, W: 36cm / 14in,
D: 40cm / 16in
AV28: H: 28cm / 11in, W: 40cm / 16in,
D: 40cm / 16in

Colli quantity

AV27: 1 (8 pcs)
AV28: 1 (6 pcs)

Weight

AV27: 0.65 kg / incl. packaging: 0.65 kg (plastic bag)
AV28: 1.15 kg / incl. packaging: 1.15 kg (plastic bag)

Country of origin

Poland

Certifications

Greenguard Gold certified (fabric only)

Cleaning Instructions

Please download our Material Care & Cleaning instructions through www.andtradition.com

→ Stock item

Heritage Papyrus



→ Heritage Papyrus

Recycling & Disassembly

Ville AV25-AV28

RECYLING

The Ville table and bench are built to last, and we hope that your Ville will serve you for many years. Ville table and bench are made from steel and FSC® certified teak wood.

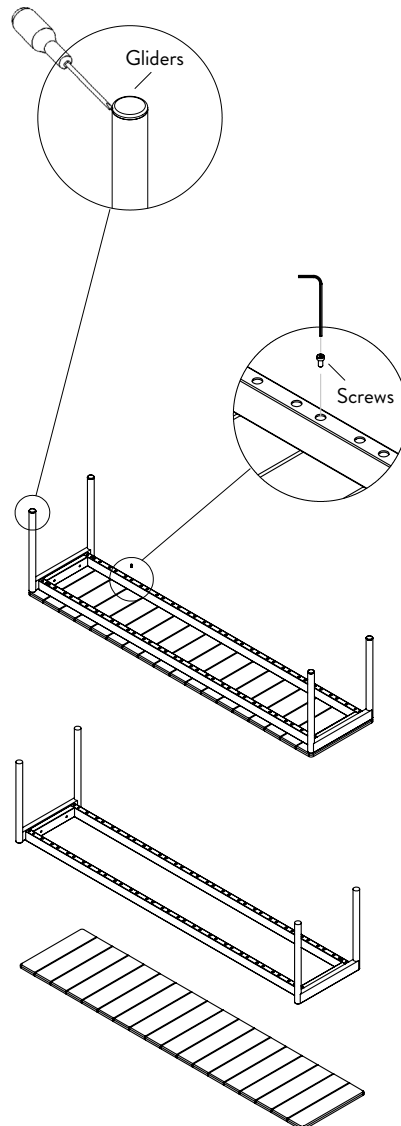
All wooden parts should be disassembled from the steel parts by unscrewing the screws in the holes in the aprons. Both metal and wood should be delivered to a suitable recycling station.

SPARE PARTS

To purchase spare parts for your Ville table and / or bench, please write to our sales support team at info@andtradition.com with your query.

5 YEAR WARRANTY

&Tradition provides a 5-year warranty with every Ville table and bench which covers faults which were present at the time of purchase, or which have occurred as a result of a manufacturing defect. The warranty is valid from the date stated on the original invoice.



DISASSEMBLY

1. Unmount the screws in the appointed holes from the bottom of the aprons. Each wooden slat has 4 pcs of screws that needs to be unmounted in order to separate the wood from the steel.
2. Remove the gliders with a screwdriver or a plier to separate the plastic from the steel.