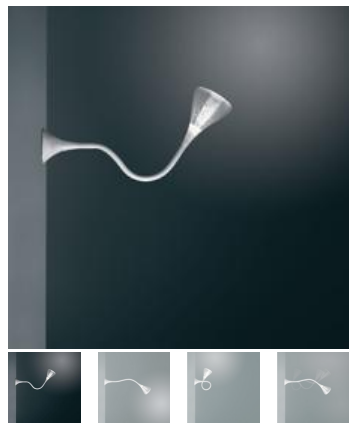


PRODUCT DATA SHEET

Pipe Wall/Ceiling LED 2700K


DESIGN BY:

Herzog & De Meuron
2007

MATERIALS:

Polycarbonate, steel, silicon

DESCRIPTION:

Wall/ceiling lamp with flexible painted steel structure, covered with a natural anti-yellowing silicone case; wall attachment and diffuser in transparent rubber-effect painted polycarbonate; mirror aluminium reflector with random perforations; painted steel bottom plate. The new internal diffuser is reinterpreting the old fluorescent lamp using a modern LED source, this guarantees the same optical performance with less power consumption and a better quality of light.

Flexible and adjustable.

SELECT

PRODUCT CODE

0671W10A

Light emission

Dimmable
TECHNICAL DATA SHEET
FEATURES

Product name:	Pipe Wall/Ceiling LED 2700K
Article Code:	0671W10A
Colour:	Transparent
Material:	Polycarbonate, steel, silicon
Series:	Design
Environment:	Indoor

DIMENSIONS

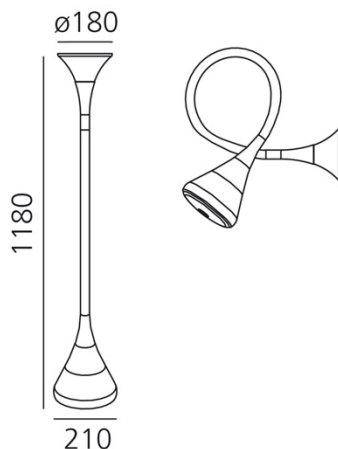
Height:	cm 118
Diameter:	cm 21
Base Diameter:	cm 18
Impact Resistance:	IK6
Glow Wire Test:	960 °

LAMPS INCLUDED

Category:	LED COB
Number:	1
Watt:	27W
Color temperature (K):	2700K
Class:	A

LUMINAIR

Power Supply:	Electronic Integrated
Watt:	27W
Luminous Flux (lm):	1763lm
CCT:	2700K
Efficiency:	67%
Efficacy:	65.30lm/W
CRI:	90
Dimmable Typology:	Push

DIMENSIONS

COLOUR
