



PRODUCT SHEET

Androgyne Dining Table
by Danielle Siggerud

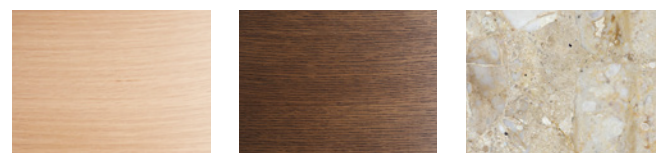
Androgyne Dining Table

BY DANIELLE SIGGERUD

Dining table with natural or dark stained solid oak base. Tabletop in matching colour (Ø120, Ø150) or kunis breccia stone (Ø120).

PRODUCT OPTIONS

TABLETOP



NATURAL OAK

DARK STAINED OAK

KUNIS BRECCIA STONE

OAK BASE



NATURAL OAK

DARK STAINED OAK

Androgyne Dining Table, Dark Stained Oak, by Danielle Siggerud
Harbour Dining Chair, Dark Stained Oak / Grisaille Col. 4 Marccasin,
by Norm Architects



Androgyne Dining Table

BY DANIELLE SIGGERUD

TECHNICAL SPECIFICATIONS

PRODUCT TYPE

Dining table

ENVIRONMENT

Indoor

DIMENSIONS

Ø120

W/D: 89 cm / 35"

H: 73 cm / 28,8"

Ø: 120 cm / 47,2"

Ø150

W/D: 89 cm / 35"

H: 73 cm / 28,8"

Ø: 150 cm / 59,1"

PRODUCTION PROCESS

CNC cut solid wood base. Tabletop in veneered MDF, or CNC cut Kunis Breccia stone.

COLOUR

Base and tabletop

Natural oak

Dark stained oak

Marble top

Sand, Kunis Breccia stone

GLOSS

N / A

MATERIALS

Natural and dark stained solid wood, natural and dark stained veneer, MDF, Kunis Breccia stone, powder coated steel, PA plast glides.

WEIGHT

Wood base
15 kg / 33,1 lb

Wood tabletop
Ø120: 25 kg / 55,1 lb
Ø150: 35 kg / 77,2 lb

Kunis breccia tabletop
Ø120: 90 kg / 198,4 lb

TEST

N / A

CERTIFICATIONS

TSCA title VI compliant

PACKAGING TYPE

Base
Brown box

Wood tabletop
Brown box

Kunis Breccia tabletop
Wood box

PACKAGING MEASUREMENTS (H x W x D)

Wood base
7 cm x 71,5 cm x 99,9 cm / 2,8" x 28,1" x 39,3"

Wood tabletop
Ø120
5,5 cm x 121,5 cm x 121,5 cm / 2,2" x 47,8" x 47,8"

Ø150
5,5 cm x 151,5 cm x 151,5 cm / 2,2" x 59,6" x 59,6"

Kunis breccia tabletop
Ø120
10 cm x 130 cm x 130 cm / 4" x 51,2" x 51,2"

MATERIALS & MAINTENANCE

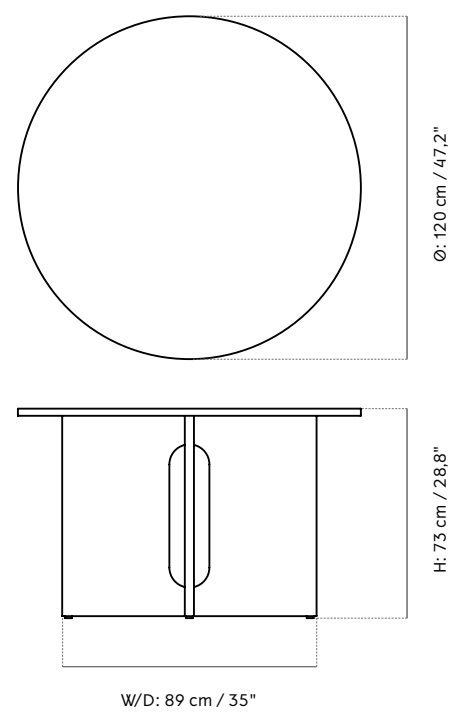
Please visit [menuspace.com](https://www.menuspace.com) for materials and care and maintenance instructions.

Androgyne Dining Table

BY DANIELLE SIGGERUD

TECHNICAL DRAWING

ANDROGYNE DINING TABLE, Ø120



Androgyne Dining Table

BY DANIELLE SIGGERUD

TECHNICAL DRAWING

ANDROGYNE DINING TABLE, Ø150

