

Designed by Louis Weisdorf

## PRODUCT



## COLORS



## DESCRIPTION

The Multi-Lite was first drawn in 1972 when Louis Weisdorf did an exception to his own design custom of using multiple repeating elements. Instead it reflects his passion for diversity. The Multi-Lite pendant has two individual rotating shades and can be transformed into multiple combinations where the light can be directed upwards, downwards or exude an asymmetrical art light. The lamp is available in seven colors and all the shades are white lacquered inside.

## VERSION - MULTI-LITE S PENDANT

Colour codes are indicative:

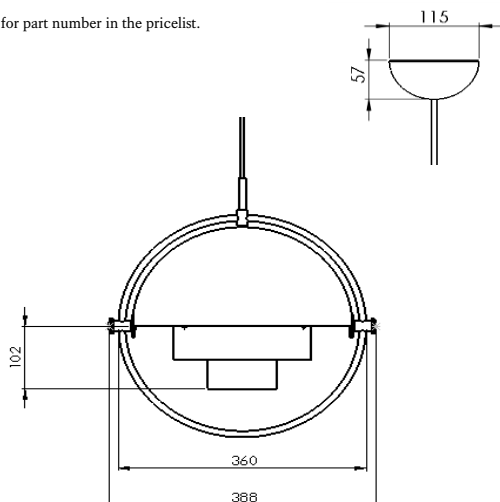
All Brass - brass colored cable  
 Brass/Charcoal Black - RAL 9011 - Gloss level 5 - black cable  
 Brass/White - RAL 9003 - Gloss level 15 - white cable  
 Brass/Blue - RAL 250 50 25 - Gloss level 15 - brass colored cable  
 All Chrome - black cable  
 Chrome/Black - RAL 9005 - Gloss level 15 - black cable  
 Chrome/White - RAL 9003 - Gloss level 15 - white cable

Canopy:

- Brass on brass versions
- Chrome on chrome versions

## MEASUREMENTS

Order item - look for part number in the pricelist.



## FACTS

### MEASUREMENT - *L x W x H mm*

Lamp height: 360 mm  
 Lamp diameter: Ø360 mm  
 Canopy size: Ø115 x 57 mm  
 Wire length, exposed: Approx.. 4000 mm

WEIGHT ITEM - *LAMP INCL. WIRE*  
 2200 G

PACKAGING TYPE  
 Cardboard box

PACKAGING MEASUREMENT - *L x W x H cm*

L: 38 x W: 38 x H: 51 cm

### WEIGHT PACKAGING - *MATERIAL TYPE (recyclable)*

- Polystyrene: 272 g  
 - PE polybag: 25 g  
 - Cardboard inside: 396 g  
 - Cardboard outside: 1120 g

WEIGHT PACKAGING - *TOTAL*  
 1,8 kg

NUMBER OF PARCELS  
 1 pcs.

## MULTI-LITE // PENDANT Ø360, EU MODEL

THE MULTI-LITE COLLECTION

Designed by Louis Weisdorf

### ACCESSORIES

-

### ENVIRONMENT

-

### TESTS

-

### CERTIFICATION AND LABELS

CE-certified

### SAFETY INSTRUCTIONS

If the cord or other electrical part is damaged, switch of the lamp and do not use it until it is repaired by a qualified electrician.

### INSTALLATION INSTRUCTIONS

Instructions document no. 58-20-001-01

### LIGHT SOURCE:

- Socket: E27 base
- Bulb types recommended:



- Recommended light sources: *Halogen light bulb*
- Recommended wattage: 46 W
- Max wattage: 57 W

#### All fluorescens light bulbs

- Recommended wattage: 15 W
- Max wattage: 18 W

#### LED retrofit light bulbs

- Recommended wattage: 9,5 W
- Max wattage: 11,5 W

-Max. light out put for above lamps:  
1050 Lumens ≈ (75 WATT incandescent bulbs)

- All lamps can be fitted with a dim Please contact your local electrician.

- Lightbulb not included

\*Euro voltage: 230 V

\*Frequency: 50 Hz

\*Supply voltage: AC power ~

\*Normally Closed: IP20



Class II / Double insulated



CE-Mark



Luminaires accepted for mounting on a flammable base

