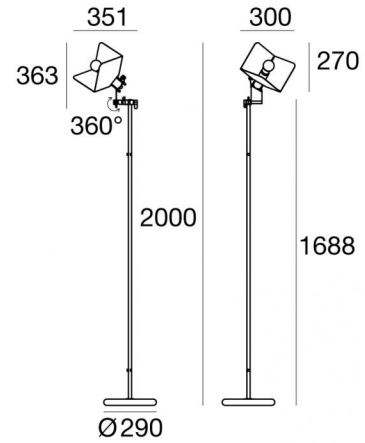




Floor Lamp | 220-240 V | 1xE27
8994



Technical data	
Designer	Joe Colombo
Construction year	1970
Type	Floor Lamp
Installation position	Floor
Installation environment	Indoor
Power	1 x 7 W
Lamp cap	1 x E27
Frequency	50-60 Hz
Optics	General Lighting
Light emission direction	downward and upward
Safety class	2
IP	IP20
Glow wire test	No
Direct mounting on normally flammable surfaces	Yes
CE	Yes
Dimmable article	No
Directional	No
Tilting	Yes
total angle (horizontal plane)	350 °
total angle (vertical plane)	360 °
Walk-over	No
Drive-over	No
Cable included	Yes
Cable length	4 m
Resin potting	No
Net weight	13.265 Kg

Finishing casing

Material	Iron
Colour	black
Processing	Powder coating

Finishing diffuser

Material	Iron
Colour	White RAL 9016
Processing	Powder coating

Finishing mounting frame

Material	Iron
Colour	black
Processing	Powder coating



Floor Lamp | 220-240 V | 1xE27
8994

Single emission floor lamp for indoor application. LED lamplamp included, lamp cap 1xE27.

The device body is made of iron and features a black finish, processed by means of powder coating; the diffuser is made of iron with a powder coating treatment; the mounting frame is made of iron, with a black finish, processed by means of powder coating. The ingress protection degree is IP20; the total weight is of 13.265 kg.

. The power supply cable is included and features a 4 m length.

The device features protection class II and can be floor-mounted.

Compliant with the EN 60598-1 standard and its specific provisions.

Illuminotechnical Features

Source lumens	650 lm
Colour temperature	2700 K
Colour rendering index	80 Ra