



## String® Pocket Sage

String® Pocket is sold as a complete shelf but is equally flexible as String® System. In 2021 we introduce the new color Sage to our collection String® Pocket. For String® Pocket Sage you will find the panels in a fine texture coating.

### About the designers – Nisse and Kajsa Strinning

Nisse Strinning, designer of the String® System, was a Swedish architect born in 1917 in the northern part of Sweden. Nisse designed the first String® shelf in 1949 with great help of his wife, Kajsa Strinning. Everything came about when the Swedish publishing house, Bonniers, announced a competition where they were looking for the perfect shelf. High in functionality, modern looking and with fair pricing. String® was selected winner and has been considered a classic Swedish design icon for decades.

### Product dimensions

W: 60 cm, H: 50 cm, D: 15 cm.

### Package dimensions

W: 62 cm, H: 9 cm, D: 17 cm.

Weight: 4,5 kg.

Transported flat-packed, assembly needed.

### Weight recommendation

25 kg evenly spread across the shelf.

### Materials and colors

Panels in powder coated steel, fine textured coating.  
Shelves in either veneer or lacquer. Brackets in zinc.

### Production

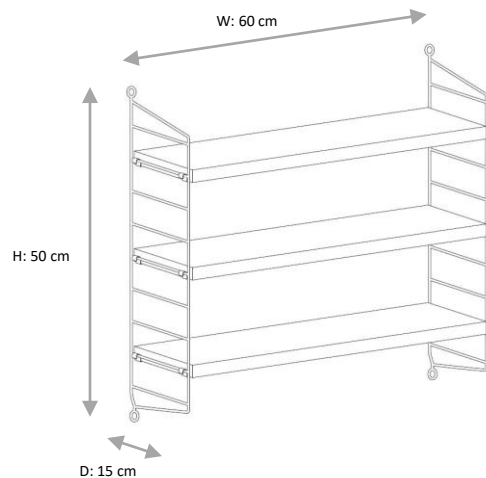
Made in Sweden.

### Sustainability

The panels are made from powder coated steel and can be recycled. The shelves are made from the renewable and recyclable material wood. The brackets are made from zinc and can be recycled. The shelf can be de-assembled and separated according to the component's material.

### Care and maintenance

Wipe the surface with a cloth. Damp wipe with detergent solution. Then rub dry with a cloth. Remove stains with detergents that do not contain abrasives. Never use steel wool.



Sage RAL 7009

# String Pocket

STRING  
FURNITURE

