

CHESHIRE

GamFratesi, 2013

It echoes the studio's Nordic imprint in its simplicity and functional aspects. The opaline polycarbonate diffuser ensures soft lighting, while the colored one spreads the light downwards in the table and floor versions or upwards in the hanging model.



RELATED PRODUCTS



CHESHIRE

Table Lamp

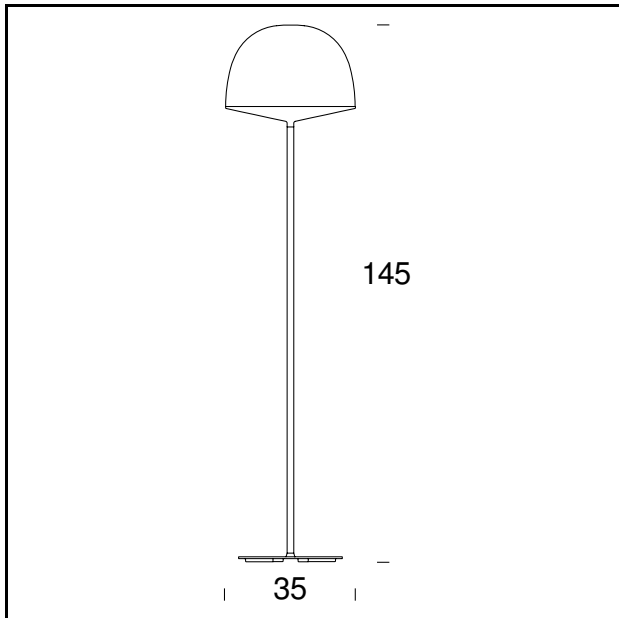


CHESHIRE

Suspension Lamp

TECHNICAL SHEET

4252.. / 4315.. Floor lamp. Opal lower diffuser. Lampshade in polycarbonate. Stem and base in metal. Lampshade, stem and base white BI (RAL 9010 matt), black N (RAL 7021 matt) and green V (RAL 6013 matt). Clear cable and plug. 4252 / 4315 Floor lamp. Shade and lower diffuser in opal polycarbonate. Black stem and base in metal. Clear cable and plug.



MODEL NAME: Cheshire

CODE: 4252..

DIMENSIONS: 35 x 145 cm

MATERIALS: Polycarbonate, Metal

COLORS

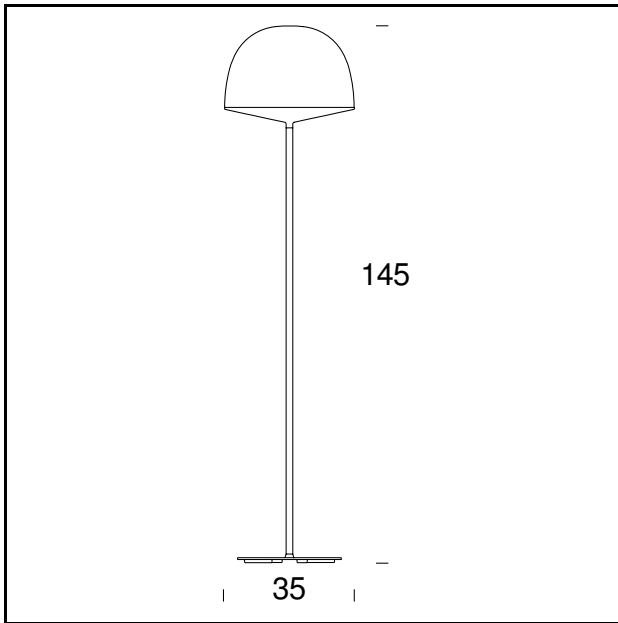
- Black - RAL Code: RAL 7021 Matt
- Green - RAL Code: RAL 6013 Matt
- White - RAL Code: RAL 9016 Matt

BULB: 3×23W (FL) E27

PLUG: Transparent

POWER CORD: Transparent

CERTIFICATIONS AND SYMBOLS:



MODEL NAME: Cheshire Led

CODE: 4315..

DIMENSIONS: 35 x 145 cm

MATERIALS: Polycarbonate, Metal

COLORS

- Black - RAL Code: RAL 7021 Matt
- Green - RAL Code: RAL 6021 Matt
- White - RAL Code: RAL 9010

BULB: 17,5W LED - (2700 K, CRI >80, 1650 Lm)

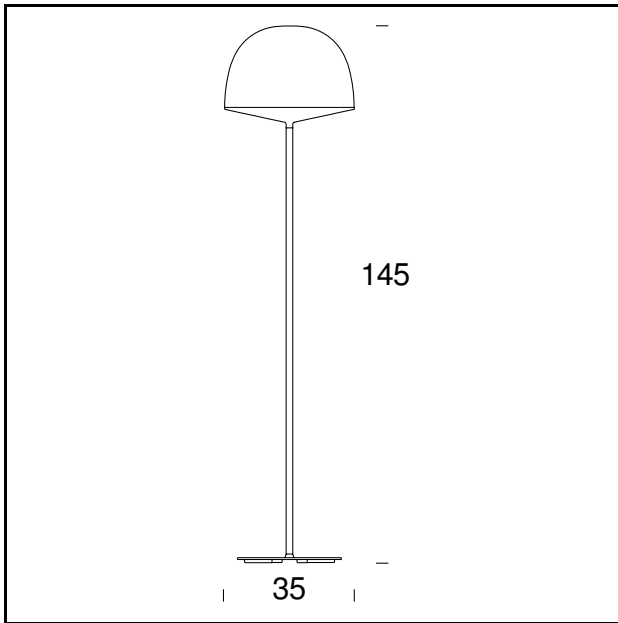
PLUG: Transparent

POWER CORD: Transparent

DIMMER: Dimmer

CERTIFICATIONS AND SYMBOLS:





MODEL NAME: Cheshire

CODE: 4252

DIMENSIONS: 35 x 145 cm

MATERIALS: Polycarbonate, Metal

COLORS

● Opaline

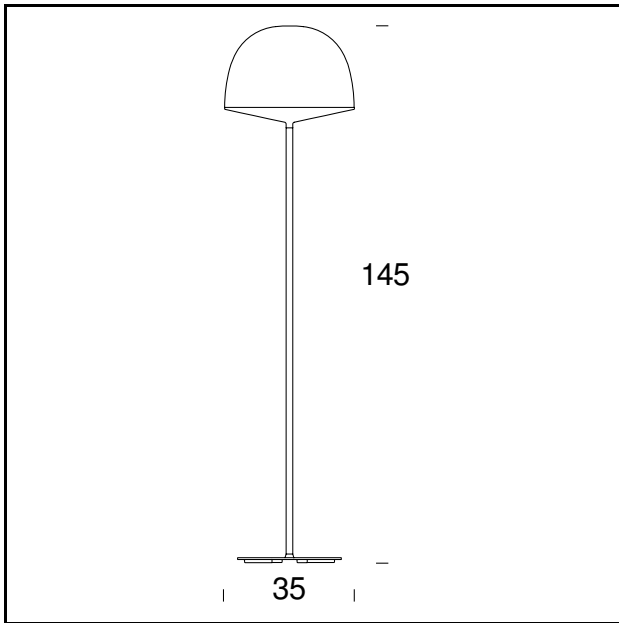
BULB: 1×30W (FL) E27

PLUG: Transparent

POWER CORD: Transparent

CERTIFICATIONS AND SYMBOLS:





MODEL NAME: Cheshire Led

CODE: 4315

DIMENSIONS: 35 x 145 cm

MATERIALS: Polycarbonate, Metal

COLORS

● Opaline

BULB: 17,5W LED - (2700 K, CRI >80, 1650 Lm)

PLUG: Transparent

POWER CORD: Transparent

DIMMER: Dimmer

CERTIFICATIONS AND SYMBOLS:



Subject to technical modifications and modifications to content