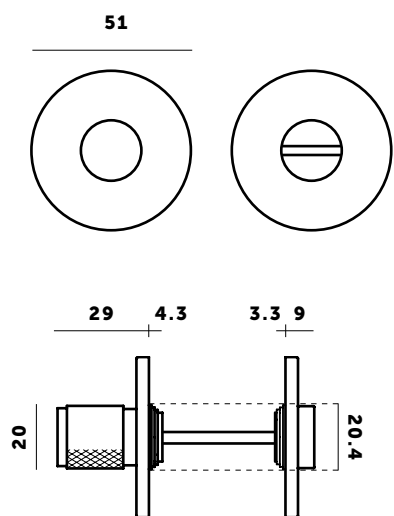




**HARDWARE / THUMB TURN LOCK**

TECH SPEC

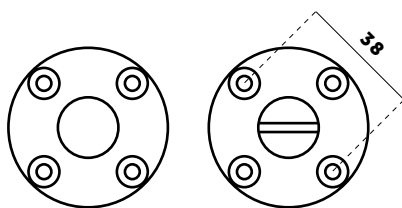
**38 / SUITABLE FOR THE UK**



**PRODUCT INFORMATION**

**Type:** 38 mm\*  
**Use:** Interior doors  
**Fixings:** Screw fixings included.  
**Lock:** Wood screw fixings\*\*  
**Door thickness:** 41 - 54 mm thick.  
**Rose:** Pair of concealed fixing roses – slim profile, clip fit.  
**Box includes:** 1 x Pair of thumb turn locks, 1 x square bar & 8 x screw fittings.  
**Material:** Solid steel, brass or smoked bronze  
**Knob width:** 20 mm  
**Rose:** 51 x 4 mm  
**Projection:** 29 mm  
**Square bar size:** 5 x 5 mm

**FIXINGS**



A cover plate is included to cover the screw holes

**FINISH**

-  Steel
-  Brass
-  Smoked Bronze

**SKU**

- UK-TT-38-ST-A**
- UK-TT-38-BR-A**
- UK-TT-38-SM-A**

\*This number indicates the cc millimetre measurement for the screw holes that are used to fit the round plate to the door. 38 mm is standard for the UK and some parts of Europe, 30 mm is standard for Sweden and most of Scandinavia.  
 \*\*Recommended locks & latches from ZOO Hardware:  
 Bathroom Lock: **ZOO ZTDA76**  
 Bathroom Plates: **ZOO ZLAP02**

**CARE INSTRUCTIONS**

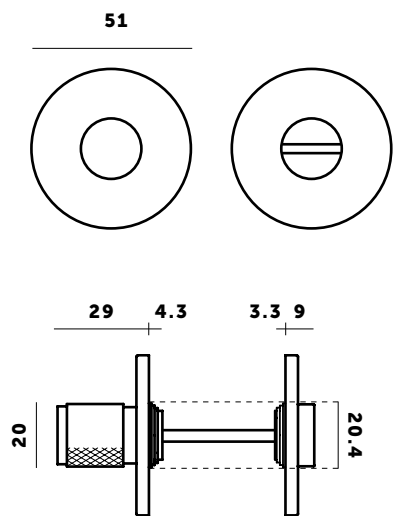
Wipe with damp cloth with no loose hairs, avoid using any chemicals. Please note all finishes are prone to aging.



**HARDWARE / THUMB TURN LOCK**

TECH SPEC

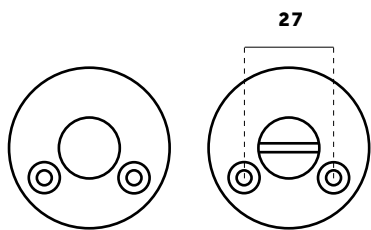
**27 / SUITABLE FOR SWE**



**PRODUCT INFORMATION**

**Type:** 27 mm\*  
**Use:** Interior doors  
**Fixings:** Bolt-through fixings included.  
**Lock:** Bolt-through\*\*  
**Door thickness:** 41 - 54 mm thick.  
**Rose:** Pair of concealed fixing roses – slim profile, clip fit.  
**Box includes:** 1x Pair of thumb turn locks, 1x square bar & screw fittings.  
**Material:** Solid steel, brass or smoked bronze  
**Knob width:** 20 mm  
**Rose:** 51 x 4 mm  
**Projection:** 29 mm  
**Square bar size:** 5 x 5 mm

**FIXINGS**



A cover plate is included to cover the screw holes

**FINISH**

-  Steel
-  Brass
-  Smoked Bronze

**SKU**

- SW-TT-27-ST-A**
- SW-TT-27-BR-A**
- SW-TT-27-SM-A**

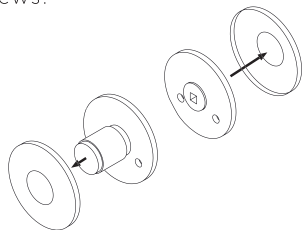
\*This number indicates the cc millimetre measurement for the screw holes that are used to fit the round plate to the door. 38 mm is standard for the UK and some parts of Europe, 30 mm is standard for Sweden and most of Scandinavia.  
 \*\*Recommended locks & latches from ASSA:  
 Interior & bathroom doors: **ASSA 2020, 2014**

**CARE INSTRUCTIONS**

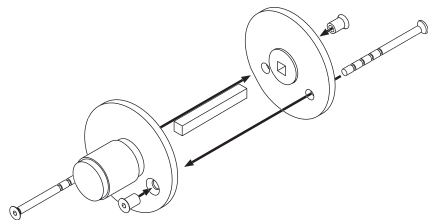
Wipe with damp cloth with no loose hairs, avoid using any chemicals. Please note all finishes are prone to aging.

## THUMB TURN LOCK

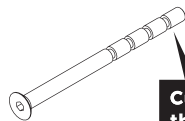
1. Pull back plate covers to gain access to screws.



3. Assemble thumb turn with the square bar, screws and nuts provided.

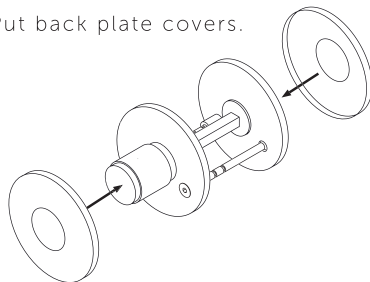


2. Adjust length of the through bolt by cutting the screw.



Cut the screw in the narrow areas.

4. Put back plate covers.



[BUSTERANDPUNCH.COM](http://BUSTERANDPUNCH.COM)

### Contents

- 1x Square bar
- 2x Through bolts + nuts

*BUSTER + PUNCH*

**HARDWARE**

**THUMB TURN LOCK / 27 MM**

SKU# SW-TT-27\*\*

### CARE INSTRUCTIONS

Use mild detergent and soft damp cloth

