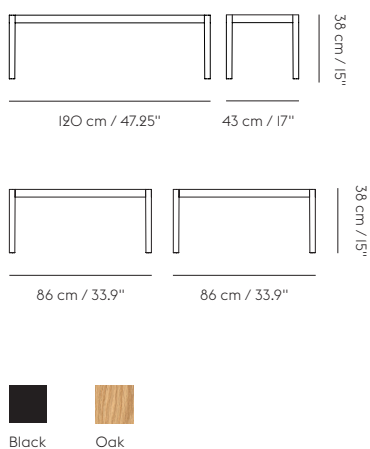




WORKSHOP COFFEE TABLE

CECILIE MANZ ON THE DESIGN “The Workshop Coffee Table is a design that is pared down to the essence. Deliberately simple in its expression, the table has an almost archetypal appearance that comes from a wish to make as little noise as possible—the details and joints are doing all the talking.”



DESIGNED BY / YEAR OF DESIGN

Cecilie Manz / 2018

ABOUT THE DESIGNER

Cecilie Manz graduated from the design school Danmarks Designskole in Copenhagen in 1997 with additional studies at the University of Art and Design in Helsinki; Cecilie Manz founded her own design studio in Copenhagen in 1998. Here, Cecilie Manz has established herself as one of Denmark's most prominent designers. Her work within furniture, glass, lighting and ceramics has achieved international success and is sold and exhibited all over the world.

CATEGORY

Coffee table

ENVIRONMENT

Indoor

COUNTRY OF PRODUCTION

Latvia

PREASSEMBLED

Yes

DESCRIPTION

The Workshop Coffee Table is deliberately simple in its design and has an almost archetypal expression, boiled down to the essence of Scandinavian craftsmanship. With its table top in oak veneer harmoniously carving itself into the frame of solid oak, the Workshop Coffee Table has a clean and understated expression.

PRODUCTION PROCESS

The Workshop Coffee Table is made using traditional techniques with an emphasis on craftsmanship and detailing. Frame and legs are made from solid wood alongside its tabletop in layer-glued oak veneer.

MATERIAL

Legs and frame in solid wood. Tabletop in oak veneer. Black version comes in a lacquered oak. Oak version comes with a matte clear lacquer.

CLEANING AND CARE

Wipe off with moist cloth and remove excess liquid with dry cloth.

TEST & CERTIFICATIONS

120 x 43 cm / 47.25 x 17"

EN 15372:2016 - L3: Extreme use. Furniture – Strength, durability and safety – Requirements for non-domestic tables.

EN 16139:2013 - L2: Extreme use. Furniture - Strength, durability and safety - Requirements for non-domestic seating.

86 x 86 cm / 33.9 x 33.9"

EN 15372:2016 - L3: Extreme use. Furniture – Strength, durability and safety – Requirements for non-domestic tables.

ANSI/BIFMA X5.ANSI/BIFMA X5.5-2014. American National Standard for Office Furnishings-Desk Products.