

Gräshoppa Pendant, EU

Designed by Greta M. Grossman - 1947



ITEM NUMBER	Gräshoppa Table Lamp (Shade: Black Semi Matt)	10012205
	Gräshoppa Table Lamp (Shade: Oyester White Semi Matt)	10012207
	Gräshoppa Pendant (Shade: Dusty Blue Semi Matt)	10012202
	Gräshoppa Table Lamp (Anthracite Grey Semi Matt)	10012203
	Gräshoppa Table Lamp (Shade: White Semi Matt)	10012204
	Gräshoppa Table Lamp (Shade: Black Glossy)	10110708
	Gräshoppa Table Lamp (Shade: Albaster White Glossy)	10110707

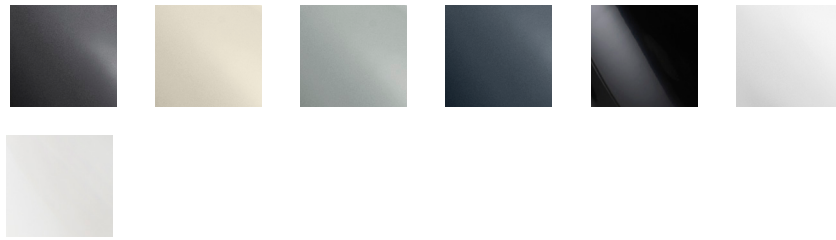
DESCRIPTION

Greta M. Grossman designed the iconic Gräshoppa Table Lamp in 1947 and with its sophisticated yet playful design, it is still as relevant today. The distinctive, elongated conical shade is beautifully combined with a tubular brass stand, a great example of Grossman's whimsical design language, that is both organic and modern. The Gräshoppa Table Lamp brings not only a perfect, functional addition to the desk but can also be used as a sophisticated light object in any room.

Materials & Finishes

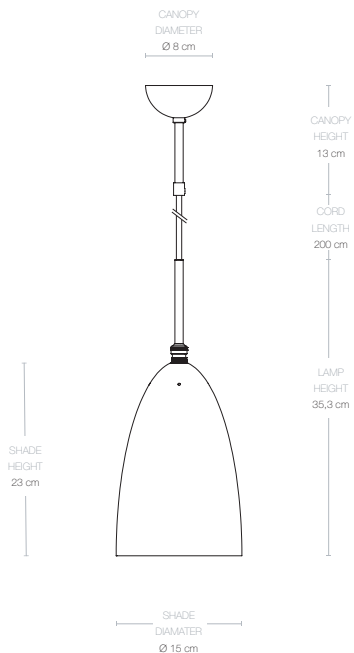
SHADE FINISH

Black Semi Matt, Oyester White Semi Matt, Dusty Blue Semi Matt, Anthracite Grey Semi Matt, White Semi Matt, Black Glossy, Albaster White Glossy



CANOPY FINISH	Powder coated steel
CORD SHAPE	Round
CORD COLOR	Black Textile
MATERIALS	Powder coated steel (shade and canopy), Solid brass (Swivel)

Dimensions



LAMP HEIGHT	35,3 cm
SHADE DIAMETER	$\text{Ø } 15 \text{ cm}$
SHADE HEIGHT	23 cm
CANOPY DIAMATER	$\text{Ø } 8 \text{ cm}$
CANOPY HEIGHT	13 cm
CORD LENGTH	200 cm

Weight


TOTAL WEIGHT	8,8 kg
--------------	--------

Number of parcels	1
PACKAGING LENGTH	21 cm
PACKAGING WIDTH	21 cm
PACKAGING HEIGHT	44 cm
PACKAGING WEIGHT	5,1 kg
GROSS WEIGHT	13,9 kg

Electrical Specifications

BULB SOCKET	E14
RECOMMENDED BULB	4W- 6W LED
DIMMER	No
SWITCH	No
VOLTAGE	240V
BULB INCLUDED	No
PLUG TYPE	EU - Type C, 2pin

Test & Certifications

CERTIFICATION	
ISOLATION CLASS	II
IP CLASSIFICATION	20