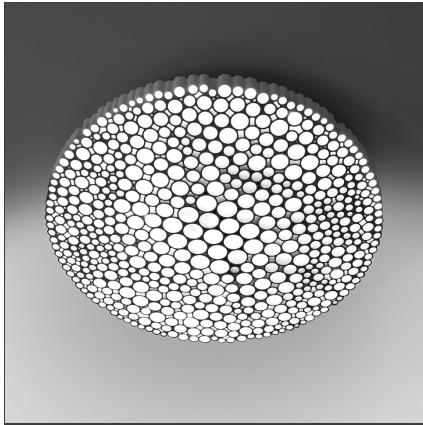


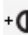


Calipso 2700K



IP20    Dimmerable: +  -

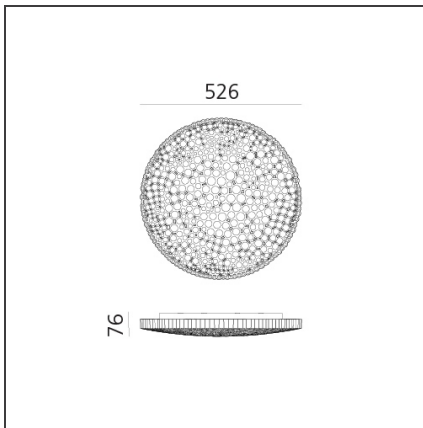
DESIGN BY

Neil Poulton

DESCRIPTION

The unique honeycomb grill of Calipso was generated by feeding a photo of the moon into an image-based algorithm found on a seemingly extinct computer. The resulting fractal shape, an impure geometry that displays the irregular beauty of nature, is built from an organic honeycomb of different diameter tubes, seemingly arranged in a random geometry. This honeycomb characterizes the lamp both aesthetically and optically - not only is it visually pleasing, but it also provides an even and comfortable light emission. The result is a highly emotional lighting object that joins together optical and aesthetic intelligence. A product positioned perfectly half-way between home and professional use, Calipso is suited to a variety of applications - expressing Artemide's traditional approach to deliver high performance lighting with a unique and emotional expressiveness.

TECHNICAL DRAWINGS



FEATURES

Article Code:	0210W10A	Material:	Tecnopolymer
Colour:	White	Series:	Design, 2018
Installation:	Wall, Ceiling	Emission:	Artemide Collection Direct
Environment:	Indoor		

DIMENSIONS

Width:	cm 7.6	Glow Wire Test:	650
---------------	--------	------------------------	-----

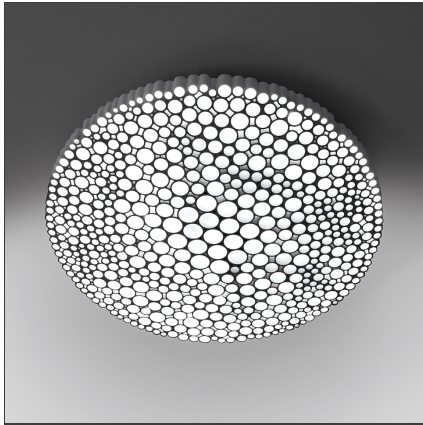
INCLUDED SOURCES

Category:	LED	Color temperature (K):	2700K
Number:	4	Color Tolerance:	MacAdam 3SDCM
Watt:	10.8W	CRI:	90
Delivered lumens output (lm):	1214lm	Efficacy:	112lm/W
Type:	0	Service Life:	50000-L70
Class:	A		

LUMINAIRE

Watt:	55W	Delivered lumens output (lm):	2884lm
Voltage:	220-240V	CCT:	2700K
		Efficiency:	56%
		Efficacy:	52.43lm/W
		CRI:	90
		Dimmable Typology:	Push

Calipso 3000K



IP20 Dimmerable:

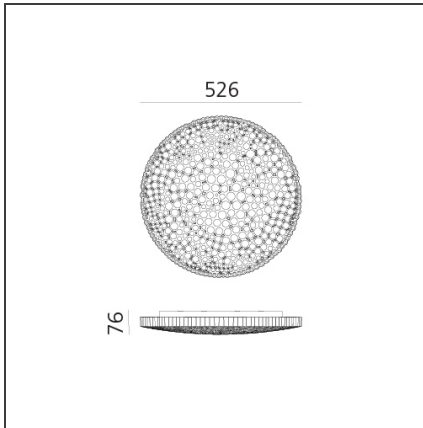
DESIGN BY

Neil Poulton

DESCRIPTION

The unique honeycomb grill of Calipso was generated by feeding a photo of the moon into an image-based algorithm found on a seemingly extinct computer. The resulting fractal shape, an impure geometry that displays the irregular beauty of nature, is built from an organic honeycomb of different diameter tubes, seemingly arranged in a random geometry. This honeycomb characterizes the lamp both aesthetically and optically - not only is it visually pleasing, but it also provides an even and comfortable light emission. The result is a highly emotional lighting object that joins together optical and aesthetic intelligence. A product positioned perfectly half-way between home and professional use, Calipso is suited to a variety of applications - expressing Artemide's traditional approach to deliver high performance lighting with a unique and emotional expressiveness.

TECHNICAL DRAWINGS



FEATURES

Article Code:	0210010A	Material:	Tecnopolymer
Colour:	White	Series:	Design, 2018
Installation:	Wall, Ceiling		Artemide Collection
Environment:	Indoor	Emission:	Direct

DIMENSIONS

Width:	cm 7.6	Glow Wire Test:	650
---------------	--------	------------------------	-----

INCLUDED SOURCES

Category:	LED	Color temperature (K):	3000K
Number:	4	Color Tolerance:	MacAdam 3SDCM
Watt:	10.8W	CRI:	90
Delivered lumens output (lm):	1214lm	Efficacy:	112lm/W
Type:	0	Service Life:	50000-L70

LUMINAIRE

Watt:	55W	Delivered lumens output (lm):	2884lm
Voltage:	220-240V	CCT:	3000K
		Efficiency:	56%
		Efficacy:	52.43lm/W
		CRI:	90
		Dimmable Typology:	Push