

## Yang LED - App Compatible



IP20 

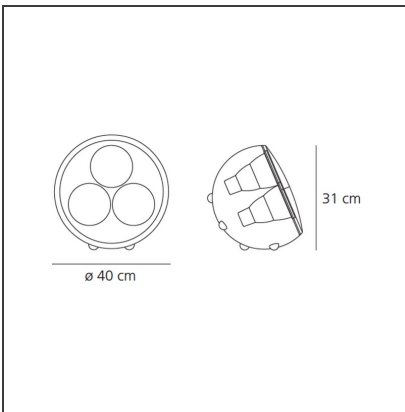
### DESIGN BY

Carlotta de Bevilacqua

### DESCRIPTION

Since the 1990s, with the Metamorfoosi project, Artemide has been working with coloured light, then with the colour temperatures of white, studying their significant psychological and physiological impact. The present evolution provides a broader range of colours that can become more and more vivid. We can reproduce all the colours in the visible spectrum and allow man to perceive all the wavelengths generated by natural sun light for optimal vision. Wavelengths can be selected and electronics ensures accurate and punctual management, as well as great freedom and flexibility to interact in real time. With such an advanced interaction mode, everyone is free to change his or her scenarios actively and consciously, in the pursuit of personal wellbeing.

### TECHNICAL DRAWINGS



### FEATURES

<b>Article Code:</b>	0324010APP	<b>Material:</b>	Methacrylate, polycarbonate
<b>Colour:</b>	Transparent	<b>Series:</b>	Design
<b>Installation:</b>	Floor	<b>Emission:</b>	Diffused
<b>Environment:</b>	Indoor		

### DIMENSIONS

<b>Height:</b>	cm 31	<b>Impact Resistance:</b>	N/D
		<b>Glow Wire Test:</b>	N/D

### INCLUDED SOURCES

<b>Category:</b>	LED	<b>Color temperature (K):</b>	3000K
<b>Number:</b>	1	<b>Color Tolerance:</b>	MacAdam 2SDCM
<b>Watt:</b>	36.36W	<b>CRI:</b>	90
<b>Delivered lumens output (lm):</b>	3899lm	<b>Efficacy:</b>	107lm/W
<b>Type:</b>	0	<b>Service Life:</b>	50000-L70
<b>Class:</b>	A		

### LUMINAIRE

<b>Power Supply:</b>	Electronic Integrated	<b>Delivered lumens output (lm):</b>	1060lm
<b>Watt:</b>	42W	<b>CCT:</b>	3000K
		<b>Efficiency:</b>	26%
		<b>Efficacy:</b>	25.24lm/W
		<b>CRI:</b>	90