

COAT-RACK // THREE-ARMED COAT RACK

MATÉGOT COLLECTION

Designed by Mathieu Matégot

PRODUCT



Item no.: 60001-XX + style code
 Ochre: Brass, Shy cherry, Venetian gold, White Cloud, Midnight black
 Midnight Black: Brass, Midnight black
 Vintage red: Rose, Sand, Bordeaux, Midnight black

DESCRIPTION

Mathieu Matégot creates his legendary pieces in 1950s. The three-legged Nagasaki Chair is still Matégot's best known piece. The Coatrack is an unusual and attractive alternative to the uninspiring coat racks typically found in modern entrances. Besides the coatrack the collection consists of Nagasaki chair, Nagasaki stool, Kangourou sofa table, Dedal bookshelf, Demon shelves, Trolley and Copacabana collection. All models are made of powder-lacquered steel.

VERSION

RAL / NCS codes are indicative.

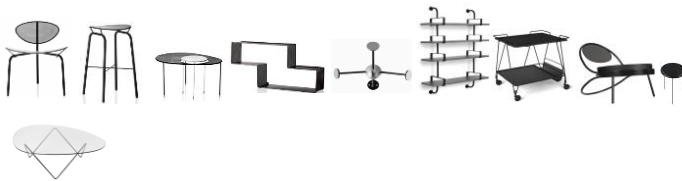
10
 Midnight black- Midnight black // RAL 9011 / Gloss 10
 Vintage red - Rose / Sand / Bordeaux / Midnight black // RAL 040 80 10 / RAL 075 70 20 / RAL 020 20 29 / 9011 // Gloss 10

SERIE

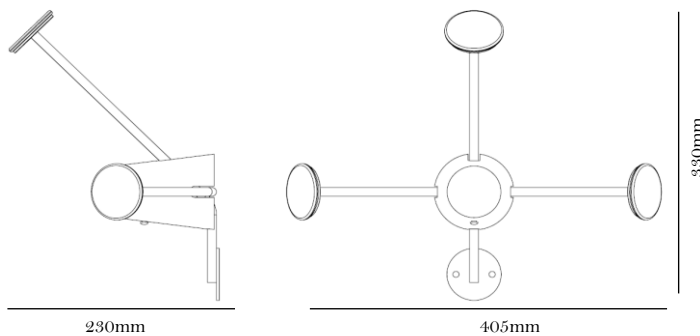
Order item - look for part number in the pricelist.

The series consists of the following:

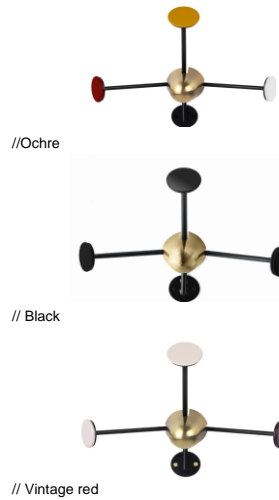
Nagasaki chair, Nagasaki stool, Kangourou table, Dedal shelf, Coat rack, Demon shelf, Trolley, Copacabana chair, Copacabana table, Coffee Table



COAT RACK MEASUREMENTS



COLOURS



FACTS

MEASUREMENT - H X W X D MM

Height: 330 mm
 Width: 405 mm
 Depth: 230 mm
 Knobs: Ø65 mm

WEIGHT ITEM

1,4 kg

PACKAGING TYPE

Cardboard box

PACKAGING MEASUREMENT - L X W X H CM

L:42 X W:40 X H:16 CM

WEIGHT PACKAGING - MATERIAL TYPE

- Delivery note: 15 g
 - Cardboard outerbox, FEFCO quality EB85BB: - g
 - LD-EPS foam protector: - g

WEIGHT PACKAGING - TOTAL

2,4 kg

NUMBER OF PARCELS

1 pcs.

ACCESSORIES

-

CLEANING AND MAINTENANCE

- For dusting and light cleaning of the metal surface and frame use a soft, dry cloth.
For further cleaning, use a soft cloth that is firmly wrung in clean water for gently wiping the surface, and then immediately use a dry cloth to wipe the surface again.
If more thorough cleaning is necessary, use a mild detergent or washing-up liquid dissolved in water on a firmly wrung cloth. Afterwards, repeat the process with clean water as described above.
Polish with a soft cloth after wiping.
Do not use materials for maintenance that:

- Contain abrasive agents.
- Are basic, acidiferous or organic.

For the best maintenance of the product, protect it against sunlight and heat, and try to keep it away from moisture, grease and other dirt.
Furthermore, protect the surfaces against sharp objects and other that might scratch.

ENVIRONMENT

Parts can be separated and sorted for recycling.

TESTS

-

CERTIFICATION AND LABELS

-