

## PRODUCT DATA SHEET

### Droplet Ceiling LED 3000K



#### DESIGN BY:

Ross Lovegrove  
2011

#### MATERIALS:

Aluminium, steel

#### DESCRIPTION:

Lamp available in suspension and ceiling versions. "Droplet is a ceiling light that appears as a pool of liquid aluminium reflecting two light pebbles. It has been generated totally by digital means and freezes in time the act of ripples that cross each other to define reflective zones and acting as a form of liquid dichroic." Materials: die-cast aluminium lighting units; die-cast aluminium reflector.

#### SELECT

LED

Polished chrome / Aluminium

#### PRODUCT CODE

1474110A

#### Light emission



IP20

#### Dimmable

#### TECHNICAL DATA SHEET

#### FEATURES

Product name:	Droplet Ceiling LED 3000K
Article Code:	1474110A
Colour:	Polished chrome / Aluminium
Material:	Aluminium, steel
Series:	Design, Hydro
Environment:	Indoor

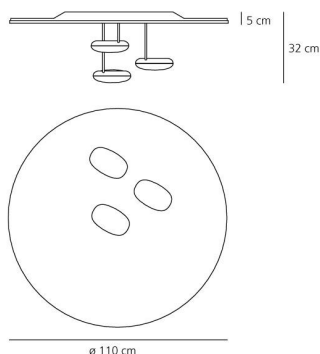
#### OPTICS

Emission:	Indirect
-----------	----------

#### DIMENSIONS

Height:	cm 32
Diameter:	cm 110
Impact Resistance:	N/D
Glow Wire Test:	960 °

#### DIMENSIONS



#### COLOUR



#### LAMPS INCLUDED

LED	Category:	LED COB
	Number:	3
	Watt:	29W
	Color temperature (K):	3000K

#### LUMINAIR

Watt:	87W
Voltage:	220V-240V
Luminous Flux (lm):	3241lm
CCT:	3000K
Efficiency:	38%
Efficacy:	37.25lm/W
CRI:	90
Dimmable Typology:	Push

## PRODUCT DATA SHEET

### Droplet Ceiling



#### DESIGN BY:

Ross Lovegrove  
2007

#### MATERIALS:

Aluminium, steel

#### DESCRIPTION:

Lamp available in suspension and ceiling versions. "Droplet is a ceiling light that appears as a pool of liquid aluminium reflecting two light pebbles. It has been generated totally by digital means and freezes in time the act of ripples that cross each other to define reflective zones and acting as a form of liquid dichroic." Materials: die-cast aluminium lighting units; die-cast aluminium reflector.

#### SELECT

EXTRA HALO / LED

Polished chrome / Aluminium

#### PRODUCT CODE

1398010A

#### Light emission



IP20

#### Dimmable

#### TECHNICAL DATA SHEET

#### FEATURES

Product name:	Droplet Ceiling
Article Code:	1398010A
Colour:	Polished chrome / Aluminium
Material:	Aluminium, steel
Series:	Design, Hydro
Environment:	Indoor

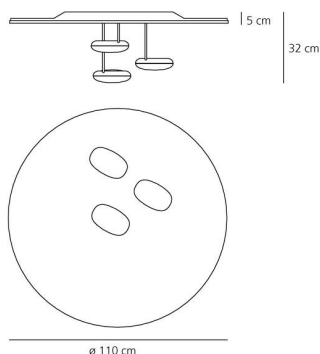
#### OPTICS

Emission:	Indirect
-----------	----------

#### DIMENSIONS

Height:	cm 32
Diameter:	cm 110
Impact Resistance:	N/D
Glow Wire Test:	960 °

#### DIMENSIONS



#### COLOUR



#### LAMPS NOT INCLUDED

Category:	HALO
Number:	3
Lbs:	Qt-de12
Watt:	160W
Socket:	R7s
Type:	Hdg
Luminous Flux (lm):	3300lm
Colour Rendering:	1a
Colour temperature (K):	2950K
Duration (h):	2000h

#### ALTERNATIVE LAMPS

##### LED retrofit

Category:	LED
Watt:	11w
Luminous Flux (lm):	1110lm
Socket:	R7s
Class:	A

#### LUMINAIR

Watt:	480W
Voltage:	220V-240V

Luminous Flux (lm):	9900lm
CCT:	2950K

## PRODUCT DATA SHEET

### Droplet Ceiling LED 2700K


**DESIGN BY:**

Ross Lovegrove  
2011

**MATERIALS:**

Aluminium, steel

**DESCRIPTION:**

Lamp available in suspension and ceiling versions. "Droplet is a ceiling light that appears as a pool of liquid aluminium reflecting two light pebbles. It has been generated totally by digital means and freezes in time the act of ripples that cross each other to define reflective zones and acting as a form of liquid dichroic." Materials: die-cast aluminium lighting units; die-cast aluminium reflector.

**SELECT**


**PRODUCT CODE**

1474W10A

**Light emission**


IP20

Dimmable

**TECHNICAL DATA SHEET**
**FEATURES**

Product name:	Droplet Ceiling LED 2700K
Article Code:	1474W10A
Colour:	Polished chrome / Aluminium
Material:	Aluminium, steel
Series:	Design, Hydro
Environment:	Indoor

**OPTICS**

Emission:	Indirect
-----------	----------

**DIMENSIONS**

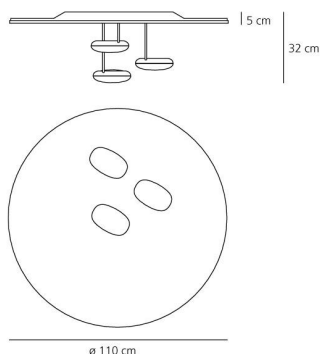
Height:	cm 32
Diameter:	cm 110
Impact Resistance:	N/D
Glow Wire Test:	960 °

**LAMPS INCLUDED**

Category:	LED COB
Number:	3
Watt:	29W
Color temperature (K):	2700K
Class:	A

**LUMINAIR**

Watt:	87W
Voltage:	220V-240V
Luminous Flux (lm):	3031lm
CCT:	2700K
Efficiency:	38%
Efficacy:	34.84lm/W
CRI:	90
Dimmable Typology:	Push

**DIMENSIONS**

**COLOUR**
