

# Co Chair



Chair

Furniture—Product Sheet  
[menu.us](http://menu.us)

by Norm Architects & The Office Group



# Co Chair



Together, mutually, in common: the words that define the prefix 'co-' are at the heart of our new Co Chair design. Conceived in collaboration with The Office Group and Norm Architects, the multifunctional chair adapts to a wide range of needs and interior styles. It addresses the space and design challenges shared by spaces both private and public, making it as appealing in homes as in shared areas like conferences, boardrooms, and touch-down co-working lounges.

Drawing on The Office Group's extensive knowledge of workplace needs, the Co Chair pairs a lightweight, sleek profile with great seating comfort – and the option to stack up to 12 to 15 chairs in a compact tower. Aesthetically, the design's contoured form and warm materials bring Norm Architects' signature, human-centred minimalism to residential and hospitality applications. The design's versatility is the result of a thoughtful construction and a wide array of materials: with numerous veneer finishes and upholstery options to choose from, the Co Chair is easy to customise to create the desired expression and experience.

The chair is distinguished by a wide veneer back, whose proportions allow freedom of movement and provide maximum comfort. Comfort also led the design of the backrest, which is positioned and angled for exceptional support. The Co Chair's slender yet robust powder-coated steel frame defines the intriguing geometric silhouette – and delivers high durability. Optional veneer armrests adding another aesthetic and functional dimension, serving both for added comfort and for suspending the chair off the floor for easy cleaning.

## About the Designer

Founded in 2003 by Charlie Green and Olly Olsen, The Office Group (TOG) is a leading provider of design-led and flexible offices, meeting rooms and co-working spaces for start-ups, small businesses, and larger, more established businesses.

TOG allows members to work across multiple locations and enables companies to grow, downsize or exit a space quickly and cost effectively. TOG is focused on creating inspirational workplaces with a genuine sense of community, as highlighted by the inclusion of spaces such as libraries, screening rooms, cafés, gyms and gardens. As TOG expands its portfolio and client base, the company remains focused on continuing to define innovative ways to address how people wish to work.

Founded in Copenhagen in 2008 by Jonas Bjerre-Poulsen and Kasper Rønn, Norm Architects specialise in residential architecture, commercial interiors, industrial design, photography and art direction. Today, the group regularly collaborates with MENU, helping to drive the evolution of the brand and its product offerings.

Norm Architects' name reflects the group's emphasis on the importance of drawing inspiration from norms and traditions within architecture and design – particularly the Scandinavian design principles of timeless aesthetics and natural materials, and the modernist values of restraint and refinement. Guided by these principles, Norm Architects produce design that unites good materials and craftsmanship, while embodying beauty, traditions, history and, most importantly, timeless simplicity, where there is nothing more to add or take away.

## Product Type

Chair

## Environment

Indoor

## Dimensions (cm / in)

With Armrest:

H: 85 cm / 33,5"

SH: 45 cm / 17,7"

D: 49,5 cm / 19,5"

W: 58 cm / 22,8"

Without Armrest:

H: 85 cm / 33,5"

SH: 45 cm / 17,7"

D: 49,5 cm / 19,5"

W: 58 cm / 22,8"

## Colours

Co Chair without Upholstery

Black / Natural Oak

Black / Dark Stained Oak

Black / Dark Oak

Co Chair with Upholstery

Black / Natural Oak

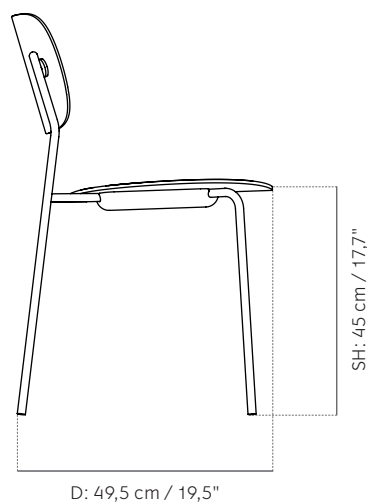
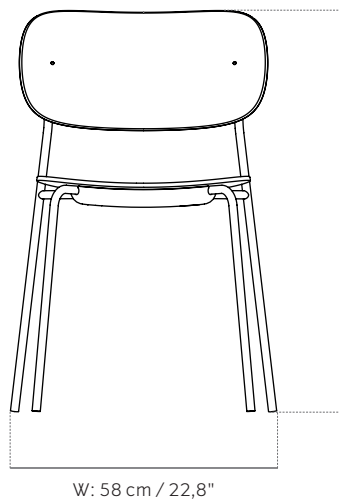
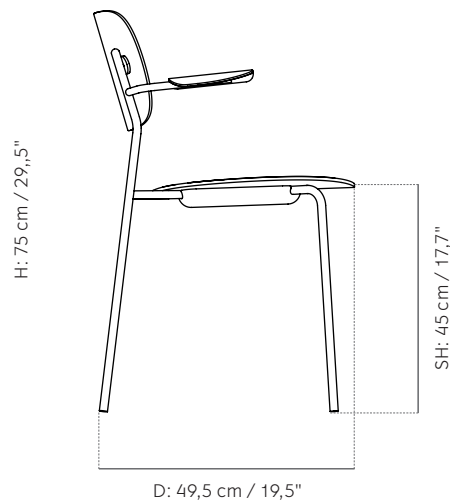
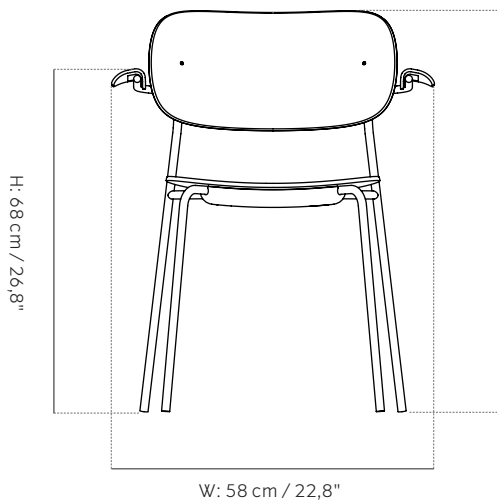
Black / Dark Stained Oak

Black / Dark Oak

Seat According to Upholstery

# Co Chair

## Technical Specifications



### Production Process

Seat-, Back-, Armrest:

Made from formpressed veneer, which is then CNC milled in a 5-axis CNC Machine.

Core is Beech veneer, while outer layers are Oak Veneer.

Steel Frame:

Bended and MIG+TIG welded Ø16x2 steel tube. Armrests are made from Ø12 thread.

### Materials

Powder Coated Steel, Plywood, Veneer, HR-Foam, Upholstery.

### Colour Code

Steel Base: RAL9005

Dark Stained Oak: Wax Stained

Natural Oak: Matt-Lacquered Oak Veneer

Black Oak: Stained and Matt-Lacquered Oak Veneer

### Gloss

Steel Base: Gloss 20

### Weight item (kg)

With Armrest: To be announced

Without Armrest: To be announced

### Test

EN1022:2005, L2, EN16139:2013, L2

### Certifications

FSC Certified, ENL 14001

### Packaging Type

Brown Box

### Packaging Measurement (H \* W \* D)

To be announced

### Care Instructions

Base, Backrest, Armrest and unupholstered seat: Use a soft dry cloth to clean. Do not use any cleaners with chemicals or harsh abrasives. Avoid using water.

Upholstered Seat: Should be cleaned according to the recommendations of the textile / leather supplier.

# Co Chair with Armrest



Black / Natural Oak  
1165039



Black / Dark Stained Oak  
1165849



Black / Dark Oak  
1166539

# Co Chair without Armrest



Black / Natural Oak  
1160039



Black / Dark Stained Oak  
1160849



Black / Dark Oak  
1161539

# Co Chair

## Quick Ship Options (Starting From 2019)

Ships within 3 - 4 weeks



Natural Oak /  
Hallingdal 65, 130  
Without Armrest: 1166039  
With Armrest: 1168039



Natural Oak /  
City Velvet, CA7832/060  
Without Armrest: 1167039  
With Armrest: 1169039



Dark Stained Oak /  
City Velvet, CA7832/062  
Without Armrest: 1168849  
With Armrest: 1166849



Dark Oak /  
Icon 246  
Without Armrest: 1168539  
With Armrest: 1170539



Dark Oak /  
Dakar 0842  
Without Armrest: 1167539  
With Armrest: 1169539



Dark Stained Oak /  
Dakar 0842  
Without Armrest: 1167849  
With Armrest: 1169849