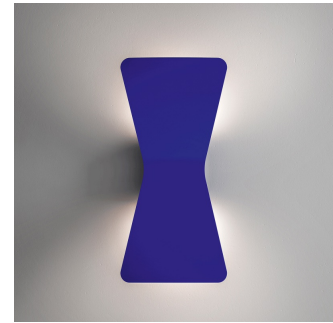


# FLEX

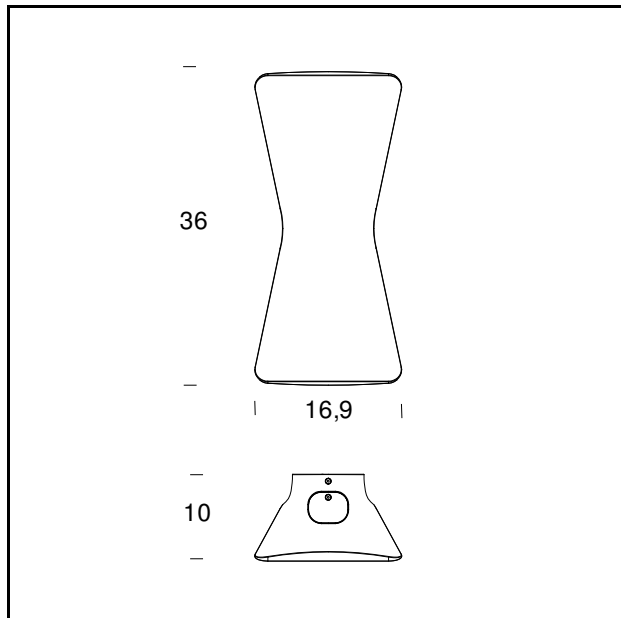
Karim Rashid, 2015

Flex is a wall lamp with an icon minimal shape. In die-cast aluminum it manages to deliver character and formality at one and the same time, radiating light both upwards and downwards like a fine floating surface.



## TECHNICAL SHEET

Wall lamp. Body in die-cast aluminium, painted white, black, pink or blue, matt. Double light emission. Dimmable electronic ballast included (1:10V).



**MODEL NAME:** Flex

**CODE:** 4310..

**DIMENSIONS:** 36x17x10 cm

**MATERIALS:** Aluminum

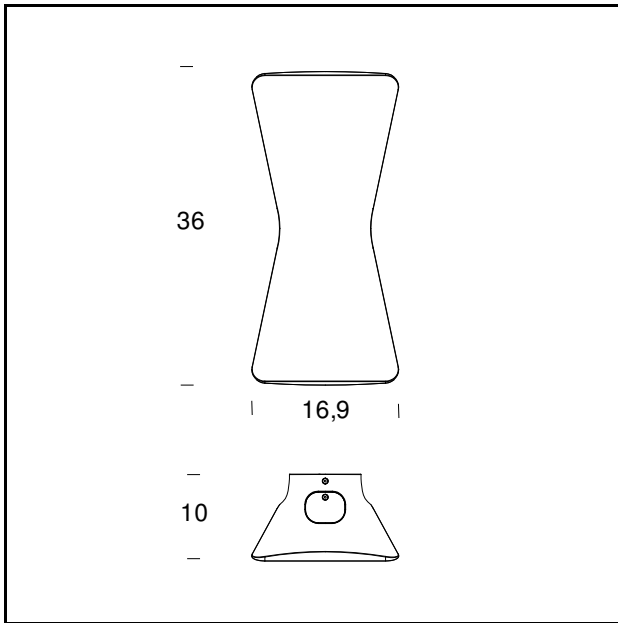
### COLORS

- Black - RAL Code: RAL 9005 Matt
- Blue - RAL Code: RAL 5002 Matt
- Pink - RAL Code: RAL 4003 Matt
- White - RAL Code: RAL 9003 Matt

**BULB:** 2x13W Led (3000 K, CRI > 80, 1350 Lm+1350 Lm)

### CERTIFICATIONS AND SYMBOLS:





**MODEL NAME:** Flex

**CODE:** 4332..

**DIMENSIONS:** 36x17x10 cm

**MATERIALS:** Aluminum

### COLORS

- Black - RAL Code: RAL 9005 Matt
- Blue - RAL Code: RAL 5002 Matt
- Pink - RAL Code: RAL 4003 Matt
- White - RAL Code: RAL 9003 Matt

**BULB:** 2x13W Led (2700 K, CRI > 80, 1280 Lm+1280 Lm)

### CERTIFICATIONS AND SYMBOLS:



Subject to technical modifications and modifications to content