



PJ50

In Stockholm in the 1940s, PeFeGe Eriksson began manufacturing what would soon become a classic among industrial work lamps. Ann Morsing and Beban Nord at Box Arkitekter have updated this classic design to meet the new demands of today's world.



White RAL9016



Varmgrå



Oxide Red
RAL8015



Matt Black
RAL7016



Pine Green RAL
6028

Specifications

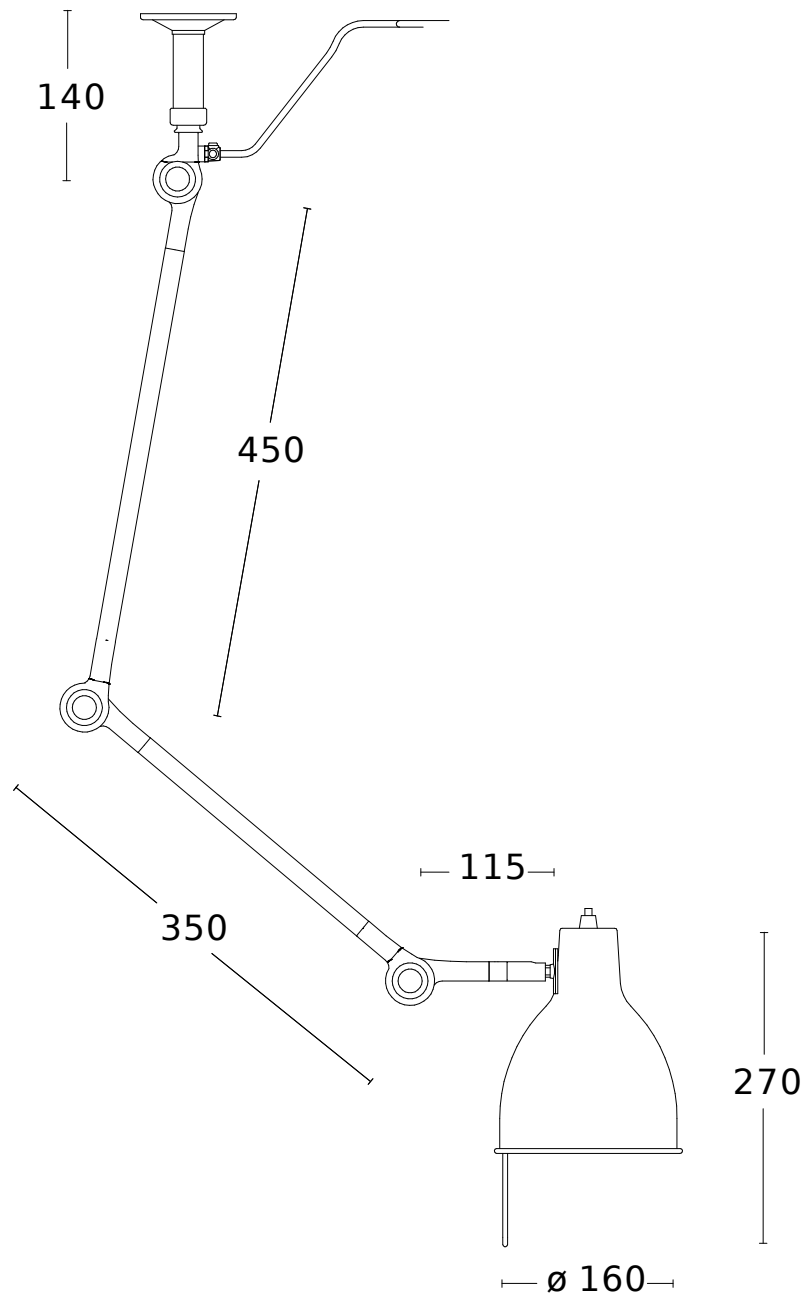
TECHNICAL SPECIFICATION

Designer	Box Arkitekter
Electrical data	Class II IP20 230V
Description	Powder coated metal in five colours. Two arms. Nut behind wingnut tightens joints
Connection	0,5 m transparent cable cord with DCL plug included
Mounting	Fixed installation to the ceiling
Lightsource	1 x LED E27 2700K 806lm CRI>80
Socket	E27
Weight	3 kg
Volume	0.1 m ³

ARTICLE NO. & PRICE

PJ50-01	White RAL 9010
PJ50-02	Warm gray RAL 7032
PJ50-06	Oxide red RAL 8015
PJ50-13	Pine green RAL 6028
PJ50-15	Matt black RAL 7016
50300	LED E27 2700K 806lm CRI>80 (Need 1)

Dimensions



50

For more info, visit our website