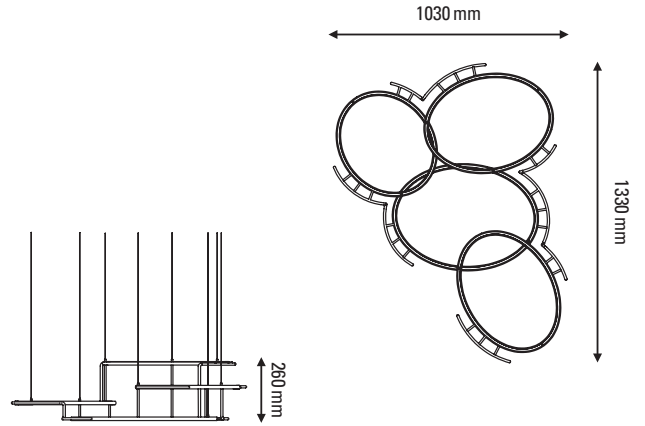




BROCHE M

d'Éric de Dormael by DCW



FICHE TECHNIQUE TECHNICAL SHEET



SUSPENSION

PENDANT LAMP

Matériaux Material	Laiton naturel Natural brass
Poids Weight	25 kg
Emballage Packaging	1440 x 1120 x 450 mm
Driver top Driver down	180 x 60 x 35 mm 200 x 70 x 43 mm
IP IP	20

Tension Voltage	230V
Classe Class	1
Watt Watt	100W
Source Source	INTEGRATED LED 2700K
Lumens Lumens output	
Driver Driver	(2 x) Drivers externes fournis (128x60x31,5 mm) 700 mA / 50-86V / 60,2W (2 x) External drivers supplied (128x60x31,5 mm) 700 mA / 50-86V / 60,2W
	Option : DALI ou TRIAC / 0-10V dimmable sur demande DALI or TRIAC / 0-10V dimmable on request
Câble Wire	Câble de 5 m + kit de suspension fourni (8 filins) 5 m cable + suspension kit included (8 steel wires)
Interrupteur Switch	NA
Fiches Plug	NA