

GRÄSHOPPA //TASK LAMP, EU MODEL

Designed by Greta Grossman

PRODUCT



Item no.: 005-0510
 + style code:
 - 1: Jet Black
 - 2: Anthracite Grey
 - 4: Blue Grey
 - 5: Matt White

DESCRIPTION

The iconic Gräshoppa task lamp was first produced in 1948. The tubular brass stand is mounted on a brass base whilst the elongated conical steel shade is mounted with a moveable joint in solid brass, consequently the light can be directional, yet the glare is minimal. The shade is powder-coated and available in 4 colours. Switch integrated in the base.

VERSION - GRÄSHOPPA TASK LAMP

RAL codes are indicative.

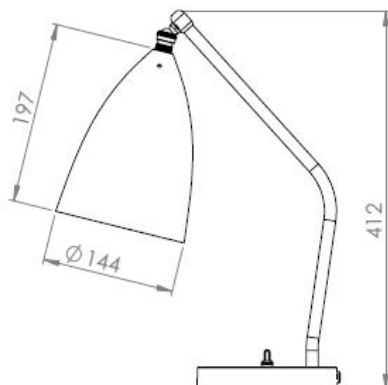
- Fabric wire - Golden:
- Jet Black / White inside // RAL 9005 / RAL 9003 // Gloss level 20 / Gloss level 20
- Anthracite grey / White inside // RAL 7016 / RAL 9003 // Gloss level 20 / Gloss level 20
- Blue grey / White inside // RAL 160 60 05 / RAL 9003 // Gloss level 20 / Gloss level 20
- Matt white / White inside // RAL 9003 / RAL 9003 // Gloss level 20 / Gloss level 20

VERSION

Order item - look for part number in the pricelist.

Series contains the following:

- GM1 GRÄSHOPPA
- GM2 COBRA TABLE
- GM3 COBRA FLOOR
- GRÄSHOPPA TASK TABLE LAMP
- GRÄSHOPPA PENDANT
- COBRA WALL LAMP



COLORS



// Jet Black



// Anthracite grey



// Blue grey



// Matt white

FACTS

MATERIAL

Shade: Powder-coated steel
 Stand: Brass tube Ø 12,7 mm
 Base: Cover in brass, inside counterweight in steel

MEASUREMENT - L x W x H mm

Lamp height: 412 mm
 Lamp base: Ø150 mm
 Shade height: 197 mm
 Shade diameter: Ø144 mm
 Cable length, exposed: Approx. 2500 mm

WEIGHT ITEM - LAMP INCL. WIRE

2208 g

PACKAGING TYPE

Cardboard box

PACKAGING MEASUREMENT - L x W x H cm

L: 46 x W: 42 x H: 25 cm

WEIGHT PACKAGING - MATERIAL TYPE (recyclable)

- Delivery note: 10 g
- LD-EPE foam: 205 g
- EPE bag: 10 g
- PE polybag: 6 g
- Cardboard inside: 265 g
- Cardboard outside, 5ply Corrugated: 1096 g

WEIGHT INCL. PACKAGING - TOTAL

3820 g

NUMBER OF PARCELS

1 pcs.

GRÄSHOPPA //TASK LAMP, EU MODEL

Designed by Greta Grossman

ACCESSORIES

-

ENVIRONMENT

-

TESTS

-

CERTIFICATION AND LABELS

CE-CERTIFIED

SAFETY INSTRUCTIONS

If the cord or plug is damaged, unplug it from the socket with dry hands. Do not use the lamp until

Bulb requirements:

- Socket: E14 base
- Recommended light source: All fluorescens light bulbs
- Recommended wattage: 9 W
- Max wattage: 13 W
- Recommended light source: Halogen light bulb
- Recommended wattage: 28 W
- Max wattage: 28 W

**Lightbulb not included*

**Euro plug: Type C, 2 PIN, 2,5 amp*

**Euro voltage: 230 V*

**Frequency: 50 Hz*

**Supply voltage: AC power ~*

**Normally Closed: IP20*



Class II / Double insulated



CE-Mark



Luminaires accepted for mounting on a flammable base