

JL341

design Juha Leiviskä 1969



RIIPPUVALAISIN JL341

Valkoiseksi maalattu alumiinia.
Valkoiset tai messinkiset alaheijastimet.
Kattopistotulppa.
Johto valkoista muovia, 200 cm.
20W, E27 (energiansäästölamppu).
100W himmeä, E27 (hehkulamppu).
Tilauksesta kattokiinnityksellä.

TAKLAMPA JL341

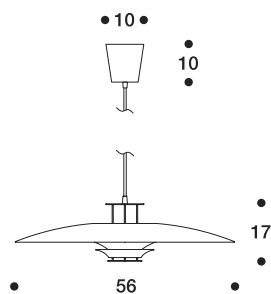
Vitlackerad aluminium.
Nedre reflektorer vitlackerade eller av mässing.
Takstickpropp.
Sladden av vit plast, längd 200 cm.
20W, E27 (lågenergilampa).
100W matt, E27 (glödlampa).
Takfäste på beställning.

PENDANT LAMP JL341

White painted aluminium.
Lower reflectors in white or brass.
Light fixture plug.
White plastic cable, 200 cm.
20W, E27 (compact fluorescent).
100W frosted, E27 (incandescent).
Ceiling attachment on offer.

HÄNGELEUCHTE JL341

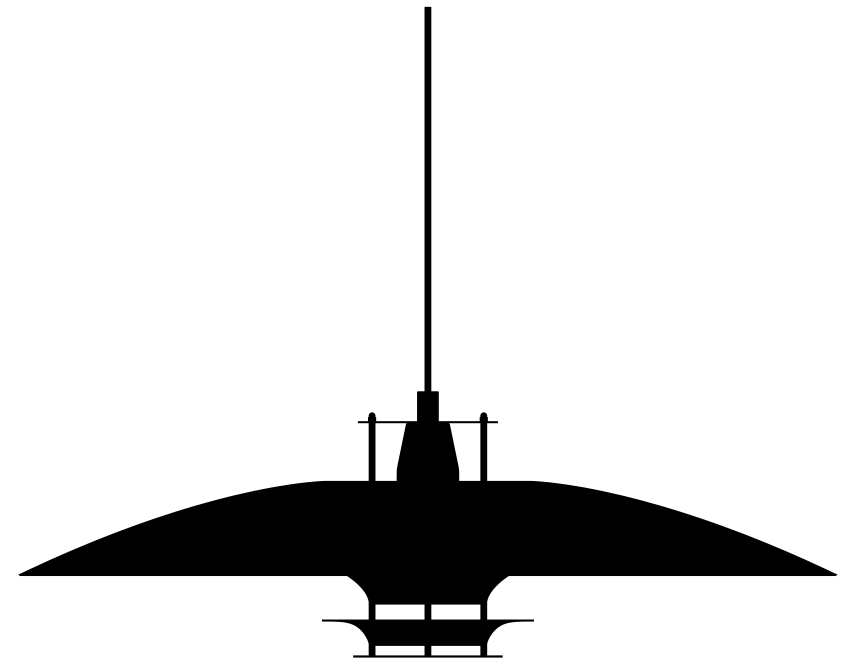
Weisslackiertes Aluminium.
Untere Reflektoren weisslackiert oder in Messing.
Kontaktstecker zur Decke.
Kabel aus weissem Kunststoff.
Kabellänge 200 cm.
20W, E27 (Energiespar).
100W matt, E27 (Glühbirne).
Deckenbefestigung auf Angebot.



artek
artek.fi

LIGHT JL341

DESIGN JUHA LEIVISKÄ 1969

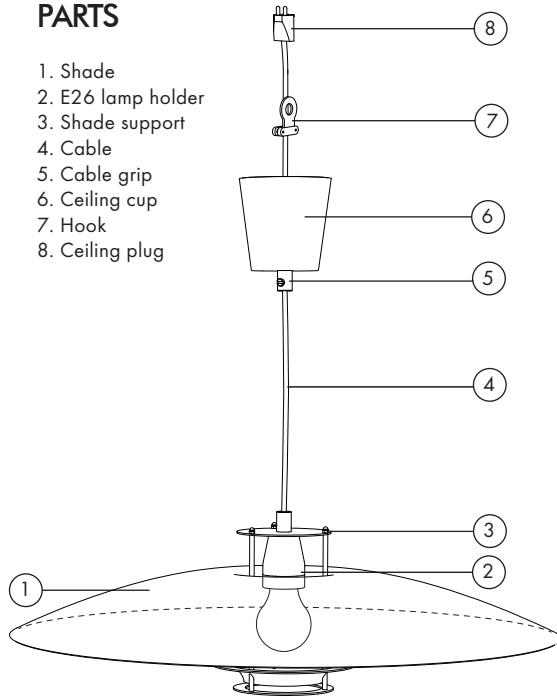


NOTE

Read the instructions carefully before commencing the installation. Make sure the power supply is disconnected from the fuse box before installation. This light fixture is intended for dry indoor use only.

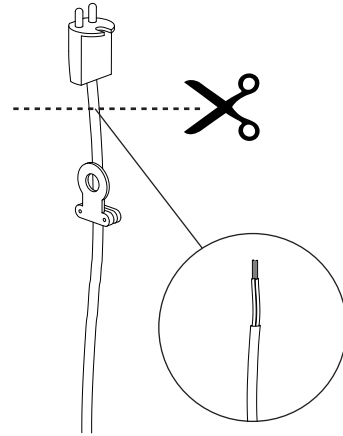
PARTS

1. Shade
2. E26 lamp holder
3. Shade support
4. Cable
5. Cable grip
6. Ceiling cup
7. Hook
8. Ceiling plug

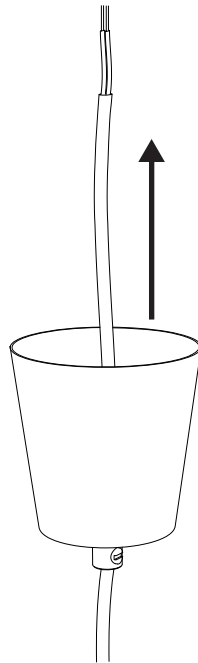


INSTALLATION AND WIRING

1. Make sure the power supply is disconnected from the fuse box before commencing installation. Remove the two pin plug from the cable and strip the wires as shown below.

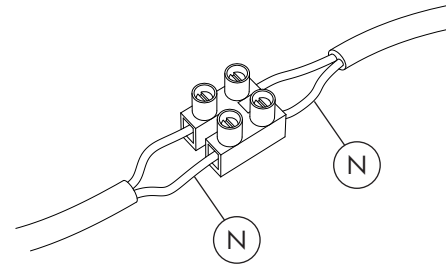


2. Unfasten grub screw at the cable grip to release cable.

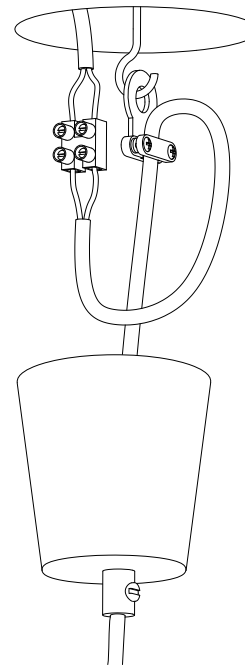


3. Connect the fitting and the connector block to the mains cable as shown. If needed, cover with insulation tape. Check that:

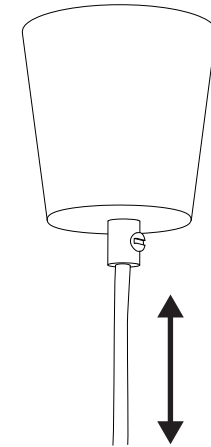
- You have identified the mains cable correctly
- The connections are tight
- No loose strands have been left out from the connector blocks.



4. Assemble the pendant cup components onto the ceiling as shown below. Ensure that the cable is not stressed/ pressed against anything.



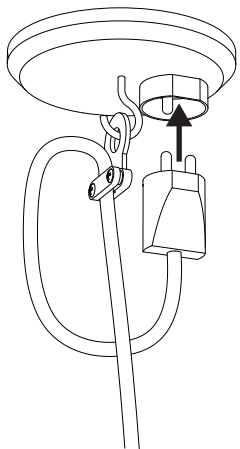
5. Control cable's length by unscrewing the cable grip screw and sliding the cable through. Restore power at the fuse box. Your product is now ready to use.



IP20, appliance class II

INSTALLATION WITH CEILING PLUG

Use the plastic hook to secure your light on the ceiling and plug it in you main cable. Use cable grip to change the length of the cable.



BULB REPLACEMENT

Use E26 max. 100W bulb. Dispose of old bulbs with care. Fit bulb onto the light fitting as per the diagram below.

