

Afterroom Counter & Bar Chair Plus



Counter & Bar Chair

Furniture—Product Sheet
menu.as

by Afterroom Studio



Afterroom Counter & Bar Chair Plus

Product Type

Counter & Bar Chair

Environment

Indoor

Dimensions (cm / in)

Afterroom Counter Chair Plus

H: 92 cm / 36,2"

SH: 63,5 cm / 25"

W: 46 cm / 18,1"

D: 54 cm / 21.2"

Afterroom Bar Chair Plus

H: 102 cm / 40,2"

W: 50 cm / 19,7"

D: 55 cm / 21,2"

SH: 73,5 cm / 28,9"

Colours

Black



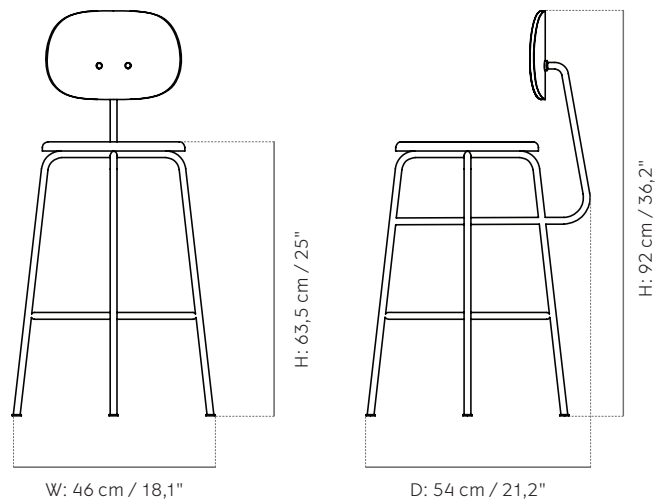
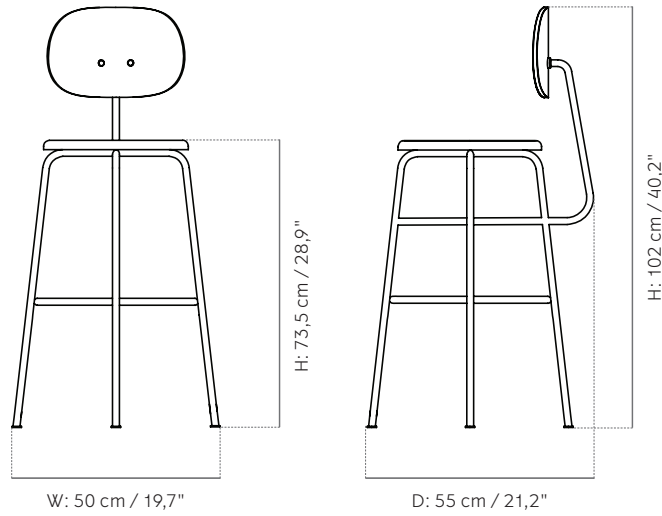
Beautifully minimal, the Afterroom Counter & Bar Chair Plus pays homage to functionalism and the Bauhaus school of art. A MENU bestseller ever since its launch in 2012, the chair is the work of Afterroom, a young Stockholm-based design studio, founded by designers Hung-Ming Chen and Chen-Yen Wei. With Afterroom Counter & Bar Chair Plus the duo elevate the chair to higher heights with the introduction of a new bar version that has now been added to the Afterroom Chair family. Like the original, the stool is deconstructed and stripped of unnecessary components, but now boasts the additional feature of a wider backrest and a luxurious upholstery of both seat and backrest. The result is a blissfully simple chair that embodies both minimalism and style, bound to steal the show in any room.

About the Designer

Afterroom is a Stockholm-based design studio, respecting wear and tear and the passage of time. Founded and directed by Hung-Ming Chen and Chen-Yen Wei, the studio's mission is to create beautiful products, which will increase in value with the passage of time – design with which one can grow old. The inspiration derives from an intriguing interest in forms, senses, proportions, materials and cultures with a philosophy that pivots simplicity and honesty.

Afterroom Counter & Bar Chair Plus

Technical Specifications



Production Process

The frame is made from powder-coated bent steel tubes with brass weldings. The seat are milled MDF with a painted finish.

Materials

Powder Coated Steel, Painted MDF

Test

EN 1022:2005
EN 16139:2013

Colour RAL Code

Black RAL 9005

Certifications

N/A

Gloss

Gloss 15

Packaging Type

Brown Box

Weight item (kg)

Counter: 5,6 kg

Bar: 5,9 kg

Packaging Measurement (H * W * D)

Counter: 96 cm * 47 cm * 47,5 cm

Bar: 105 cm * 46,5 cm * 47,5 cm

Care Instructions

Use a soft dry cloth to clean. Do not use any cleaners with chemicals or harsh abrasives. Avoid using water.

Afterroom Counter & Bar Chair Plus



Afterroom Counter Chair Plus

PC1T 9410001	PC1L 9410004
PC2T 9410002	PC2L 9410005
PC3T 9410003	PC3L 9410006
	PC4L 9410007



Afterroom Bar Chair Plus

PC1T 9400001	PC1L 9400004
PC2T 9400002	PC2L 9400005
PC3T 9400003	PC3L 9400006
	PC4L 9400007